

GRAM



KF 3255-93

EN

User guide

DA

Betjeningsvejledning

SV

Bruksanvisning

NO

Bruksanvisning

FI

Käyttöohjeet

WARNING!

In order to ensure a normal operation of your fridge/freezing appliance, which uses a completely environmentally friendly refrigerant the R600a (Flammable only under certain conditions) you must observe the following rules:

- ◆ Do not hinder the free circulation of the air around the appliance.
- ◆ Do not use mechanical devices in order to accelerate the defrosting, other than the ones recommended by the manufacturer.
- ◆ Do not destroy the refrigerating circuit.
- ◆ Do not use electric appliances inside the food keeping compartment, other than those that might have been recommended by the manufacturer.

ADVARSEL!

For at sikre en normal funktion af køle-/fryseskabet, der anvender et komplet miljøvenligt kølemiddel, R 600a (Kun brændbar under særlige forhold), skal du overholde følgende regler:

- ◆ Undlad at hindre den frie luftcirkulation rundt om apparatet.
- ◆ Der må ikke anvendes mekanisk udstyr, ud over det af producenten anbefalede, til at fremskynde afrimningsprocessen.
- ◆ Undgå at beskadige kølekredsløbet.
- ◆ Undlad at bruge elektrisk udstyr inde i rummet, hvor der opbevares mad, ud over de steder, som producenten evt. har anbefalet.

WARNING!

För att säkerställa normal användning av kyl- och frysskåpet, som utnyttjar helt miljöanpassade kylmedlet R600a (Endast antändbart under vissa förhållanden) måste du iaktta följande regler:

- ◆ Hindra inte fri luftcirkulation runt kyl- och frysskåpet.
- ◆ Använd inga mekaniska enheter för att påskynda avfrostningen, förutom det som rekommenderas av tillverkaren.
- ◆ Skada inte kylningskretsen.
- ◆ Använd inga elektriska enheter inuti matsignalsfacket, utöver det som rekommenderas av tillverkaren.

ADVARSEL!

For å sikre normal drift av kombiskåpet, som bruker en fullstendig miljøvennlig kjølevæske – R600a (Kun antennelig under bestemte forhold), må du overholde følgende regler:

- ◆ Ikke blokker den frie luftsirkulasjonen rundt apparatet.
- ◆ Ikke bruk mekanisk utstyr for å akselerere avisingsprosessen annet enn slikt utstyr som produsenten anbefaler.
- ◆ Pass på så du ikke ødelegger kjølekretsen.
- ◆ Ikke bruk elektriske apparater inne i de delene av skåpet der du lagrer mat, såfremt de ikke er av en slik type som produsenten anbefaler.

VAROITUS!

- ◆ Laitteen kylmäaineena on ympäristöystävällinen R600a (syttävää vain tietyissä olosuhteissa). Jotta laite toimisi normaalisti, on noudatettava seuraavia ohjeita:
- ◆ Älä estä ilman vapaata kiertoa laitteen ympäri.
- ◆ Älä käytä mekaanisia välineitä sulatuksen nopeuttamiseen, paitsi sellaisia, joita valmistaja suosittelee.
- ◆ Älä vahingoita jäähdytyspiiriä.
- ◆ Älä käytä ruokalokeroiden sisällä sähkölaitteita, jollei valmistaja niin suosittele.

EN Index

Safety first /1
Electrical requirements /2
Transportation instructions /2
Installation instructions /2
Getting to know your appliance /3
Suggested arrangement of food in the appliance /3
Temperature control and adjustment /3
Before operating /3
Storing frozen food /4
Freezing fresh food /4
Making ice cubes /4
Defrosting /4
How to reposition the doors /4
Replacing the interior light bulb /5
Cleaning and care /5
Do's and Don'ts /5
Energy consumption /5
Information concerning the noise /6
Troubleshooting /6

DA Register

Vigtige sikkerhedsanvisninger /7
Krav til el-installationen /8
Transportvejledning /8
Installationsvejledning /8
Lær dit apparat at kende /9
Forslag til placering af fødevarer i apparatet /9
Temperaturkontrol og –regulering /9
Før ibrugtagning /9
Opbevaring af frostvarer /10
Frysning af friske fødevarer /10
Fremstilling af isterninger /10
Afrimning /10
Sætte døren tilbage på plads /11
Udskiftning af den indvendige pære /11
Rengøring og vedligeholdelse /11
Husk at, og Undlad at /11
Energiforbrug /12
Information om støj /12
Fejlfinding /12

SV Index

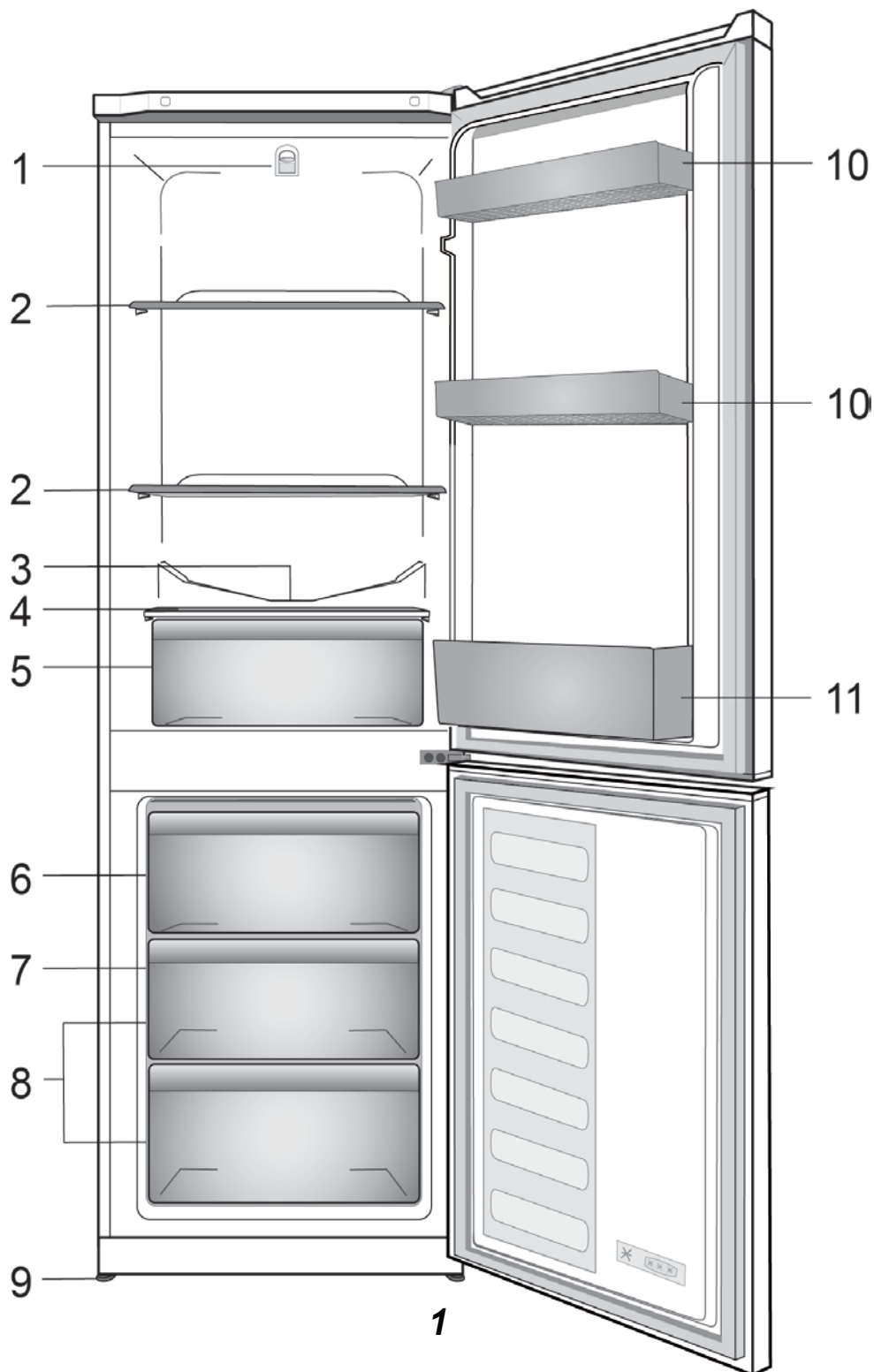
Säkerheten först /13
Krav för elanslutning /14
Transportinstruktioner /14
Installationsinstruktioner /14
Lär känna ditt kyl- och frysskåp /15
Förslag på placering av maten i enheten /15
Temperaturkontroll och justering /15
Innan du använder kyl- och frysskåpet /15
Förvaring av fryst mat /16
Infrysning av färsk mat /16
Göra isbitar /16
Avfrostning /16
Så här omplaceras dörren /16
Byte av innerbelysningens glödlampa /16
Rengöring och vård /17
Kom ihåg att göra och inte göra /17
Energiförbrukning /17
Information rörande buller /18
Felsökning /18

NO Indeks

Sikkerheten først /19
Krav til det elektriske anlegget /20
Transportanvisninger /20
Installasjonsanvisninger /20
Bli kjent med apparatet /20
Forslag til plassering av matvarer i kombiskapet /21
Temperaturkontroll og justering /21
Før bruk /21
Lagring av frosne matvarer /21
Frysing av ferske matvarer /22
Lag isbiter /22
Avriming /22
Slik repositionerer du døre /22
Utskifting av lyspæren inne i skapet /22
Rengjøring og stell /22
Ting du må gjøre og ting du ikke må gjøre /23
Energiforbruk /23
Informasjon vedrørende støy /24
Feilsøking /24

FI Hakemisto

Tärkeitä turvaohjeita /25
Sähkötekniset vaatimukset /26
Kuljetusohjeet /26
Asennusohjeet /26
Laitteen osat /26
Ehdotus ruokien sijoittamisesta laitteeseen /27
Lämpötilan ohjaus ja säätö /27
Ennen käyttöä /27
Pakastetun ruuan säilyttäminen /27
Tuoreen ruoan pakastaminen /28
Jäälalojen teko /28
Sulatus /28
Oven kätisyiden vaihto /28
Sisälampun vaihtaminen /28
Puhdistus ja huolto /29
Tärkeää /29
Energiankulutus /29
Tietoja käyttööänistä /30
Vianetsintä /30



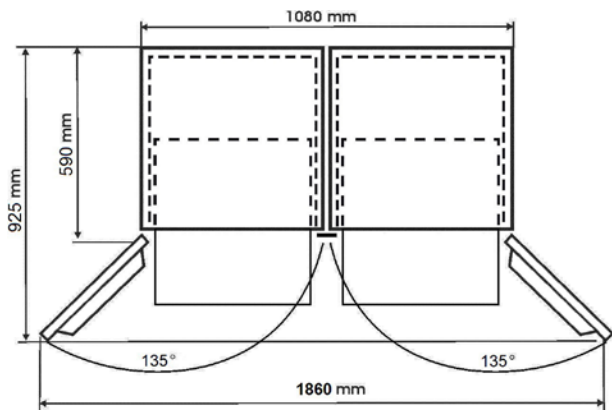
i Figures that take place in this instruction manual are schematic and may not correspond exactly with your product. If the subject parts are not included in the product you have purchased, then it is valid for other models.

i Tallene i denne brugerguide er kladder og kan afvige fra dit produkt. Hvis dit produkt ikke omfatter de relevante dele, vedrører oplysningerne andre modeller.

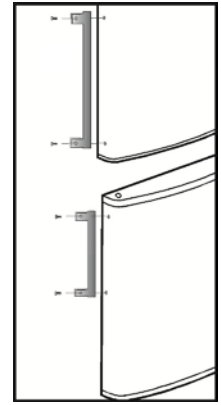
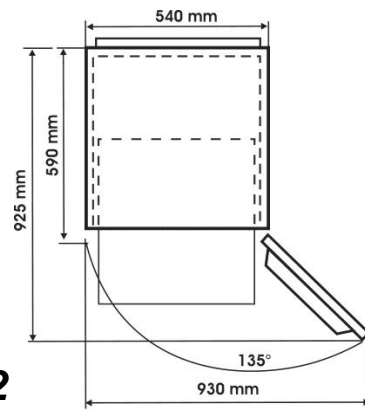
i Bilderna i den här bruksanvisningen är endast avsedda som exempel och kanske inte överensstämmer med din produkt. Om produkten inte består av relevanta delar gäller informationen för andra modeller.

i Illustrasjonene i denne brukerhåndboken er ment som utkast, og det er mulig de ikke helt samsvarer med produktet. Hvis produktet ikke omfatter de aktuelle delene, gjelder informasjonen andre modeller.

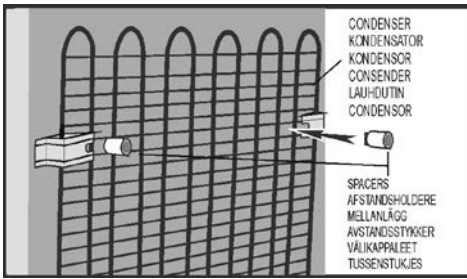
i Tämän käyttöohjeen kuvat ovat viitteellisiä, eivätkä ne välttämättä vastaa tuotettasi. Mikäli tuotteesi ei sisällä joitakin osia, tiedot koskevat muita malleja.



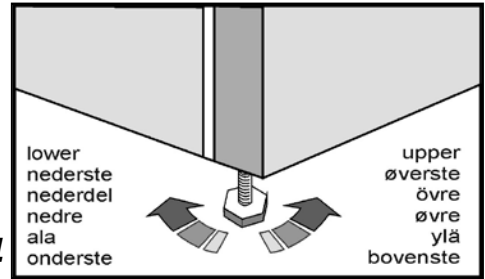
2



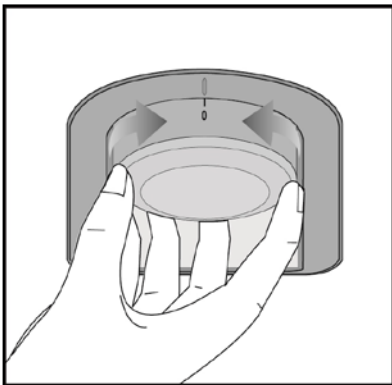
3



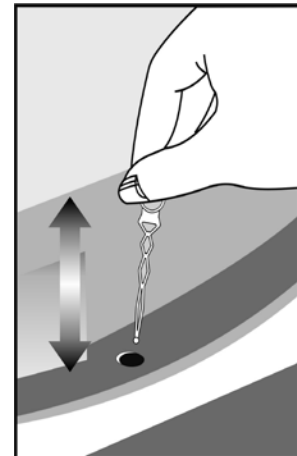
4



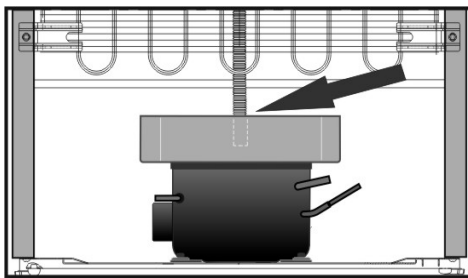
5



6



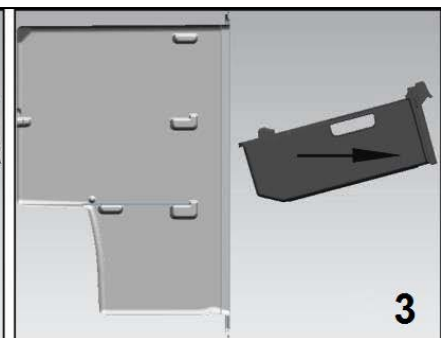
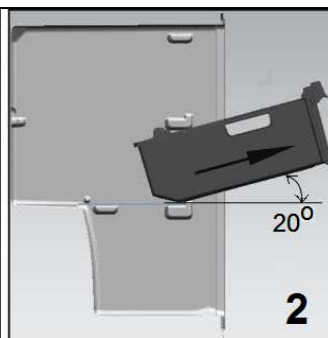
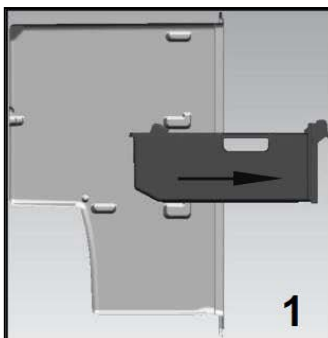
7

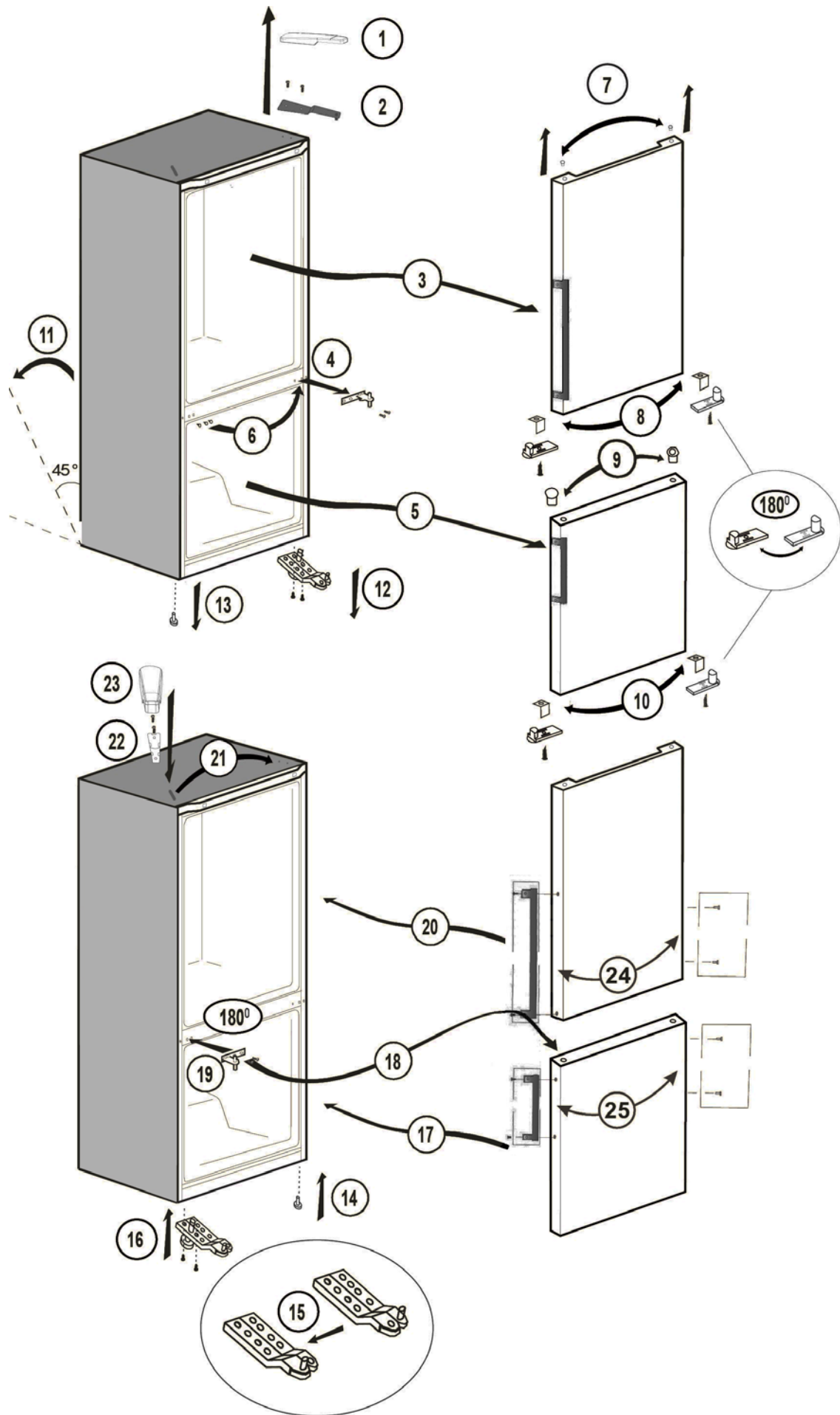


8



9





Congratulations on your new GRAM fridge/freezer.

Safety first!

Do not connect your appliance to the electricity supply until all packing and transit protectors have been removed.

- Leave to stand for at least 4 hours before switching on, to allow the compressor oil to settle if transported horizontally.
- If you are discarding an old appliance with a lock or a latch fitted to the door, ensure that it is left in a safe condition to prevent the entrapment of children.
- This appliance must only be used for its intended purpose.
- Do not dispose of the appliance on a fire. Your appliance contains non CFC substances in the insulation which are flammable. We suggest that you contact your local authority for information on disposal and available facilities.
- We do not recommend the use of this appliance in an unheated, cold room (e.g. garage, conservatory, annex, shed, out-house etc.).

To obtain the best possible performance and problem-free operation from your appliance it is very important to read the user guide carefully. Failure to observe the user guide may reduce your right to free service during the guarantee period.

Please keep the user guide in a safe place for easy reference.

This appliance is not intended for people with reduced physical, sensory or mental capabilities or lack of experience and knowledge unless they have been supervised or instructed in the use of the appliance by a person responsible for their safety.

Children should be supervised to ensure that they do not play with the appliance.

Electrical requirements

Before inserting the plug into the socket make sure that the voltage and the frequency shown in the rating plate inside the appliance corresponds to your electricity supply.

We recommend that this appliance is connected to the mains supply via a suitably switched and fused socket in a readily accessible position.

The plug has to be accessible after installation in order to allow disconnection of the appliance from the supply.

Warning! This appliance must be earthed.

Repairs to the electrical equipment may only be made by authorised technicians. If the power cable is damaged, the manufacturer or GRAM service must replace it in order to avoid danger.

ATTENTION!

This appliance operates with R600a which is an environmental friendly but flammable gas. During the transportation and fixing of the product, care must be taken not to damage the cooling system. If the cooling system is damaged and there is a gas leakage from the system, keep the product away from open flame sources and ventilate the room for a while.

WARNING - Do not use electrical devices or other means to accelerate the defrosting process, others than those recommended by the manufacturer.

WARNING - Do not damage the refrigerant circuit.

Transportation instructions

1. The appliance should only be transported in an upright position. The packaging must be intact during transportation.

2. If the appliance has been positioned horizontally during transportation, it must not be operated for at least 4 hours to allow the system to settle.

3. Failure to comply with the above instructions could result in damage to the appliance for which the manufacturer will not be held liable.

4. The appliance must be protected against rain, moisture and other atmospheric influences.

Important!

- Avoid touching the bottom of the condenser metal wires at the back of the appliance while cleaning or carrying the appliance as you may receive injuries to your fingers and hands.

- Do not attempt to sit or stand on top of your appliance as it is not designed for such use. You could be injured or damage the appliance.

- Make sure that the mains cable is not caught under the appliance during and after moving it as this could damage the cable.

- Do not allow children to play with the appliance.

Installation instructions

1. Do not keep your appliance in a room where the temperature is likely to fall below +10 °C (50 °F).

2. Do not place the appliance near cookers or radiators or in direct sunlight, as this will cause extra strain on the appliance's functions. If installed next to a heat source, maintain the following minimum side clearances:

30 mm from cookers

300 mm from radiators

3. Make sure that sufficient room is provided around the appliance to ensure free air circulation (**Fig. 2**).

- Place the spacer on the back of your appliance to set the distance between the appliance and the wall (**Fig. 3**).

4. The appliance should be positioned on a level surface. The two front legs can be adjusted as required. To ensure that your appliance is standing upright adjust the two front legs by turning them either clockwise or anti-clockwise, until firm contact is secured with the floor. Correct adjustment of the front legs prevents excessive vibration and noise (**Fig. 4**).

5. Refer to the "Cleaning and Care" section to prepare your appliance for use.

6. If you want to place two products side by side, e.g. a refrigerator and a freezer, as a side by side solution you have to use a decoration kit which contains a mat and a decoration part. The mat is mounted on the side on one of the products to create a space between the products. The decoration part is placed between the products to hide the gap between the products (**Fig. 2**). The decoration kit is not a part of the product but can be delivered as an accessory.

Getting to know your appliance


(Fig. 1)


- 1 - Thermostat control and interior light
- 2 - Removable glass shelves
- 3 - Water collector
- 4 - Glass shelf
- 5 - Vegetable drawer
- 6 - Compartment for fast freezing
- 7 - Ice cube tray support & ice cube tray
- 8 - Compartments for keeping frozen food
- 9 - Adjustable front legs
- 10 - Door shelves
- 11 - Bottle shelf

Suggested arrangement of the food in the appliance

Guidelines for obtaining optimum storage:

1. The fridge compartment is for the short-term storage of fresh food and drinks.

2. The freezer compartment is  rated and suitable for the freezing and storage of pre-frozen food.

The recommendation for  storage as stated on the food packaging should be observed at all times.

3. Dairy products should be stored in the coldest places in the fridge compartment.

4. Cooked dishes should be stored in airtight containers.

5. Fresh wrapped produce can be kept on the shelves. Fresh fruit and vegetables can be stored in the vegetable drawers.

6. Bottles can be kept on the door shelves or on the bottle shelf.

7. To store fresh meat, wrap it in polythene bags and place it on the coldest place in the fridge compartment. Don't let meat juice from fresh meat come into contact with other foods.

8. For maximum efficiency the removable shelves should not be covered with paper or other materials to allow free circulation of cool air.

9. Do not keep vegetable oil on the door shelves. Keep the food packed, wrapped or covered. Leftover canned food should not be stored in the can.

10. To take out the drawers from the freezer compartment please proceed as in **Fig. 9**.

Temperature control and adjustment

Operating temperatures are controlled by the thermostat knob (**Fig. 5**) and may be set at any position between 1 and 5 (the coldest position).

The average temperature inside the fridge should be around +5°C (+41°F).

Therefore adjust the thermostat control to obtain the desired temperature. Some sections of the fridge may be cooler or warmer (such as vegetable drawer and top part of the cabinet) which is quite normal.

We recommend that you check the temperature with an accurate thermometer to ensure that the storage compartments are kept to the desired temperature.

Please remember each time the door is opened cold air escapes and the internal temperature rises. Therefore never leave the door open and ensure it is closed immediately after food is put in or removed.

Before operating

Final Check

Before you start using the appliance check that:

1. The front legs have been adjusted for perfect levelling.
2. The interior is dry and air can circulate freely around the appliance.
3. The interior is clean as recommended under "Cleaning and care."
4. The plug has been inserted into the wall socket and the electricity is switched on. Avoid unintentional disconnection by placing sticky tape on the switch.

And note that:

5. You will hear a noise as the compressor starts. The liquid and gases sealed within the refrigeration system may also make some noise, whether the compressor is running or not. This is quite normal.
6. The top of the cabinet may be slightly corrugated which is quite normal due to the manufacturing process used; it is not a defect.
7. We recommend setting the thermostat control midway and monitor the temperature to ensure the appliance maintains desired storage temperatures (see the "Temperature control and Adjustment" section).

8. Do not load the appliance immediately it is switched on. Wait until the correct storage temperature has been reached. We recommend checking the temperature with an accurate thermometer (see the "Temperature control and Adjustment" section).

9. Remember to remove all packing materials - including transportation security in the form of tape, styrofoam, cardboard, etc. within the enclosure. It is also important to remove any styrofoam / cardboard in the evaporator tray on the back of the closet, otherwise there is a risk that water is leaking on the floor.

Storing frozen food

Your freezer is suitable for the long-term storage of commercially frozen foods and also can be used to freeze and store fresh food. If there is a power failure, do not open the door. Frozen food should not be affected if the failure lasts for less than 16 hrs. If the failure is longer, then the food should be checked and either eaten immediately or cooked and then re-frozen.

Freezing fresh food

Please observe the following instructions to obtain the best results.

Do not freeze too large a quantity at any one time. The quality of the food is best preserved when it is frozen right through to the core as quickly as possible.

Do not exceed the freezing capacity of your appliance in 24 h.

Placing warm food in the freezer compartment causes the compressor to operate continuously until the food is frozen solid. This can temporarily lead to excessive cooling of the refrigeration compartment.

When freezing fresh food, keep the thermostat control at the medium position. Small quantities of food up to 1/2 kg (1 lb) can be frozen without adjusting the temperature control.

Making ice cubes

Fill the icecube tray 3/4 with water and place it in the freezer. Loosen frozen trays with a spoon handle or a similar objects; never use sharp-edged objects such as knives or forks.

Defrosting

A) Fridge compartment

The fridge compartment defrosts automatically. The thawed water runs to the drain tube via a collection container at the back of the appliance (**Fig. 6**).

During defrosting, water droplets may form at the back of the fridge compartment where a concealed evaporator is located. Some droplets may remain on the liner and refreeze when defrosting is completed.

Do not use pointed or sharp-edged objects such as knives or forks to remove the droplets which have refrozen.

If, at any time, the water from the defrosting does not drain from the collection channel, check that no food particles have blocked the drain tube.

The drain tube can be cleared with a cotton bud or similar implement.

Check that the tube is permanently placed with its end in the collecting tray on the compressor to prevent the water spilling on the electric installation or on the floor (**Fig. 7**).

B) Freezer compartment

Defrosting is very straightforward and without mess, thanks to a special defrost collection basin.

Defrost twice a year or when a frost layer of around 7 (1/4") mm has formed. To start the defrosting procedure, switch off the appliance at the socket outlet and pull out the mains plug.

All food should be wrapped in several layers of newspaper and stored in a cool place (e.g. fridge or a larder).

Containers of warm water may be placed carefully in the freezer to speed up the defrosting.

Do not use pointed or sharp-edged objects, such as knives or forks to remove the frost.

Never use hairdryers, electrical heaters or other such electrical appliances for defrosting. Sponge off the defrost water collected in the bottom of the freezer compartment. After defrosting, dry the interior thoroughly (**Fig. 8**). Insert the plug into the wall socket and switch on the electricity supply.

How to reposition the doors

Proceed in numerical order (**Fig. 10**).

Replacing the interior light bulb

To change the Bulb/LED used for illumination of your refrigerator, call your Authorised Service.

The lamp(s) used in this appliance is not suitable for household room illumination. The intended purpose of this lamp is to assist the user to place foodstuffs in the refrigerator/freezer in a safe and comfortable way.

The lamps used in this appliance have to withstand extreme physical conditions such as temperatures below -20°C.

Cleaning and care

1. We recommend that you switch off the appliance at the socket outlet and pull out the mains plug before cleaning.

2. Never use any sharp instruments or abrasive substances, soap, household cleaner, detergent or wax polish for cleaning.

3. Use lukewarm water to clean the cabinet of the appliance and wipe it dry.

4. Use a damp cloth wrung out in a solution of one teaspoon of bicarbonate of soda to one pint of water to clean the interior and wipe it dry.

5. Make sure that no water enters the temperature control box.

6. If the appliance is not going to be used for a long period of time, switch it off, remove all food, clean it and leave the door ajar.

7. Any dust that gathers on the condenser, which is located at the back of the appliance, should be removed once a year with a vacuum cleaner.

8. Check the door seals regularly to ensure they are clean and free from food particles.

9. Never:

- Clean the appliance with unsuitable material; eg petroleum based products.
- Subject it to high temperatures in any way,
- Scour, rub etc., with abrasive material.

10. To remove a door tray, remove all the contents and then simply push the door tray upwards from the base.

11. Make sure that the special plastic container at the back of the appliance which collects defrost water is clean at all times. If you want to remove the tray to clean it,

follow the instructions below:

- Switch off the socket and pull out the mains plug
 - To remove the water collector tray pull and turn (left-right).
 - Clean and wipe it dry
 - Reassemble, reversing the sequence and operations
12. To remove a drawer, pull it as far as possible, tilt it upwards and then pull it out completely.

Do's and Don'ts

- Do** clean your appliance regularly (See "Defrosting")
- Do** keep food for as short a time as possible and adhere to "Best Before" and "Use by" etc. dates.
- Do** defrost food in the fridge compartment.
- Don't** store bananas in your fridge compartment.
- Don't** cover the shelves with any protective materials which may obstruct air circulation.
- Don't** store poisonous or any dangerous substances in your appliance. It has been designed for the storage of edible foodstuffs only.
- Don't** leave the door open for long periods, as this will make the appliance more costly to run and cause excessive ice formation.
- Don't** use sharp edged objects such as knives or forks to remove the ice.
- Don't** put liquid-filled bottles or sealed cans containing carbonated liquids into the freezer, as they may burst.
- Don't** exceed the maximum freezing loads when freezing fresh food.
- Don't** freeze fizzy drinks.
- Don't** try to keep frozen food which has thawed; it should be eaten within 24 hours or cooked and refrozen.
- Don't** remove items from the freezer with wet hands.

Energy consumption

Maximum frozen food storage volume is achieved without using the drawers provided in the freezer compartment.

Energy consumption of your appliance is declared while the freezer compartment is fully loaded without using the drawers.

Practical advice concerning the reduction of the electricity consumption

1. Make sure that the appliance is located in well-ventilated areas, far from any heat source (cooker, radiator etc.). At the same time, the appliance should be kept away from sunlight.
2. Make sure that the food purchased in refrigerated/frozen condition is placed in the appliance as soon as possible, especially during summertime. It is recommended to use thermal insulated bags to transport the food home.
3. We advise you to place frozen food in a vessel in the refrigerator compartment when the food has to thaw. In this way you avoid that the water resulting from the thawing leaks into the refrigerator compartment. We recommend you to start the defrosting at least 24 hours before the use of the frozen food.
4. Do not keep the door of the appliance open more than necessary and make sure that after each opening the door is well closed.

Information concerning the noise and the vibrations which might appear during the operation of the appliance

1. The operation noise can increase during the operation.
 - In order to keep the temperatures at the adjusted temperatures, the compressor of the appliance starts periodically. The noise produced by the compressor becomes stronger when it starts and a click can be heard when it stops.
 - The performance and operation features of the appliance can change according to the modifications of the temperature of the ambient environment. They must be considered as normal.

2. Noises like liquids flowing or as being sprayed
 - These noises are caused by the flow of the refrigerant in the circuit of the appliance and comply with the operation principle of the appliance.
3. Other vibrations and noises.
 - The level of noise and vibrations can be caused by the type and the aspect of the floor on which the appliance is placed. Make sure that the floor does not have significant level distortions or if it can yield to the weight of the appliance (it is flexible).
 - Another source of noise and vibrations is represented by the objects placed on the appliance. These objects must be removed from the appliance
 - The bottles and the vessels placed in the refrigerator touching each other. In such cases move the bottles and the vessels so that there is a small distance between them.


Troubleshooting

If the appliance does not operate when switched on, then check:

- That the plug is inserted properly in the socket and that the power supply is on. (To check the power supply to the socket, plug in another appliance).
- Whether the fuse has blown, the circuit breaker has tripped or whether the main distribution switch has been turned off.
- That the thermostat control has been set correctly.
- That the new plug is wired correctly, if you have changed the fitted, moulded plug.

If the appliance is still not operating at all after above checks, contact GRAM service. Please ensure that above checks have been done, as a charge will be made if no fault is found.



The symbol  on the product or on packaging indicates that this product must not be treated as household waste. Instead it has to be handed over to the place of collection point for the recycling of electrical and electronic equipment. By ensuring this product is disposed of correctly, you will help prevent potential negative consequences for the environment and human health, which could be caused by inappropriate waste handling of this product. For more detailed information about recycling of this product, please contact your government, your household waste disposal service or the shop where you purchased the product.

Tillykke med dit nye GRAM køle-/fryseskab.

Vigtige sikkerhedsanvisninger!

Undlad at tilslutte apparatet til strømforsyning før alle pakke- og transportbeskyttelser er fjernet.

- Lad apparatet stå i mindst 4 timer før du tænder for det. Dette sikrer, at kompressorolien kan løbe på plads, hvis apparatet har været transporteret liggende.
- Hvis du kasserer et brugt apparat, som er udstyret med dørlås eller smæklås, så vær opmærksom på at efterlade det sikkert for at forhindre, at børn kan blive spærret inde i det.
- Dette apparat må kun anvendes til det tilsigtede formål.
- Bortskaf ikke apparatet ved at brænde det. Dit apparat indeholder CFC-fri stoffer i isoleringen, som er brandbare. Vi foreslår, at du kontakter kommunen for information om bortskaffelse og evt. genbrugsstationer.
- Vi anbefaler ikke brug af dette apparat i et uopvarmet, koldt rum, f.eks. garage, vinterhave, anneks, skur, udhus osv.

For at få størst mulig nytte af dit apparat og for at sikre en problemfri funktion, er det meget vigtigt, at du læser denne betjeningsvejledning grundigt. Hvis betjeningsvejledningen ikke følges, kan det medføre, at retten til gratis service i garantiperioden reduceres.

Opbevar betjeningsvejledningen på et sikkert sted, hvor den er nem at komme til.

Dette apparat er ikke beregnet til anvendelse af personer med reducerede fysiske, følelsesmæssige eller mentale evner, eller mangel på erfaring og viden, medmindre de er blevet overvåget eller har fået instruktion i brugen af apparatet af en person, der er ansvarlig for deres sikkerhed.

Børn skal overvåges for at sikre, at de ikke leger med apparatet.

Krav til el-installationen

Før stikket sluttes til stikkontakten, skal du kontrollere, at den spænding og frekvens, der fremgår af typeskiltet inde i apparatet, svarer til netspændingen hos dig.

Vi anbefaler, at dette apparat tilsluttes til en lettilgængelig stikkontakt, som er beskyttet med en passende sikring samt forsynet med afbryder.

Stikket i netledningen skal være lettilgængelig efter installationen, så apparatet kan nemt afbrydes fra strømforsyningen.

Advarsel! Dette apparat skal jordforbindes.

Reparationer af det elektriske udstyr må kun udføres af autoriserede teknikere. Hvis forbindelseskablet er beskadiget, skal producenten eller GRAM service erstatte det for at undgå fare.

BEMÆRK!

Dette apparat bruger R600a, som er en miljøvenlig, men brændbar gas. Under transporten og under monteringen af produktet skal der udvises omhu med ikke at beskadige kølesystemet. Hvis kølesystemet beskadiges, og der bliver en gaslækage fra systemet, skal produktet holdes væk fra åben ild, og rummet skal luftes ud.

ADVARSEL - Der må ikke anvendes elektriske genstande eller andre midler, ud over de af producenten anbefalede, for at fremskynde afrimningsprocessen.

ADVARSEL - Undgå at beskadige kølekredsløbet.

Transportvejledning

1. Apparatet bør kun transporteres opretstående. Emballagen skal være intakt under transporten.
2. Hvis apparatet har været placeret liggende under transporten, må det ikke betjenes i mindst 4 timer for at give systemet tid til at sætte sig.
3. Hvis ovenstående retningslinier ikke overholdes, kan det medføre beskadigelse af apparatet, som ikke er dækket af producentens garantiforpligtelse.
4. Apparatet skal beskyttes mod regn, fugt og andre atmosfæriske påvirkninger.

Vigtigt!

- Undgå berøring af den metalliske kondensator trådføring på bagsiden af apparatet under rengøring eller flytning, da der er risiko for skade på fingre eller hænder.
- Undlad at sidde eller stå oven på apparatet, da det ikke er designet med henblik på dette. Du kan selv komme til skade eller komme til at beskadige apparatet.
- Kontrollér at netledningen ikke kommer i klemme under apparatet under og efter flytning, da dette kan beskadige ledningen.
- Lad ikke børn lege med apparatet.

Installationsvejledning

1. Undlad at installere apparatet i rum, hvor temperaturen kan falde til under +10 °C.
2. Undlad at placere apparatet tæt ved komfurer eller radiatorer eller i direkte sollys, da dette vil medføre en øget belastning af apparatets funktioner. Hvis apparatet installeres i nærheden af en varmekilde, skal følgende minimumsafstande overholdes:
30 mm fra komfur
300 mm fra radiator
3. Kontrollér at der er tilstrækkelig plads omkring apparatet til at sikre fri luftcirkulation (**Fig. 2**).
• Sæt det bageste ventilationslåg til bagsiden af køleskabet for at justere afstanden mellem køleskabet og væggen (**Fig. 3**).
4. Apparatet skal placeres på en plan overflade. De to forreste fødder kan justeres efter behov. For at sikre, at apparatet står lodret, skal de to forreste fødder drejes med eller mod uret, indtil de er i fast kontakt med gulvet. Ved korrekt justering af fødderne reduceres vibrationer og støj (**Fig. 4**).
5. Se afsnittet "Rengøring og vedligeholdelse" for at forberede apparatet til brug.
6. Hvis du ønsker at placere f.eks. et køleskab og et fryseskab ved siden af hinanden som en "side-by-side" løsning, skal du benytte et monterings sæt, som indeholder en måtte og en dekorationsliste. Måtten skal monteres på siden af det ene skab, sådan at der er lidt luft mellem skabene. Dekorationslisten monteres mellem de 2 skabe, sådan at den skjuler mellemrummet mellem skabene (**Fig. 2**). Monterings sættet er ikke en del af produktet, men kan leveres som tilbehør.



Lær dit apparat at kende

(Fig. 1)

- 1 - Termostatkontrol og indvendigt lys
- 2 - Flytbare glashylder
- 3 - Vandopsamler
- 4 - Glashylde
- 5 - Grøntsagsskuffe
- 6 - Rum til hurtigfrys
- 7 - Isbakkehylde & isbakke
- 8 - Rum til at opbevare frosne fødevarer
- 9 - Justerbare forreste ben
- 10 - Dørhylder
- 11 - Flaskehylde

Forslag til placering af fødevarer i apparatet

Retningslinier for opnåelse af maksimal opbevaring:

1. Køleskabsrummet er beregnet til kortvarig opbevaring af friske føde- og drikkevarer.
2. Fryseafdelingen er forsynet med  og er egnet til frysning og opbevaring af allerede frosne fødevarer. Anbefalingerne for  opbevaring i fryseren, som det fremgår af levedsmiddelemballagen, bør altid følges.
3. Mejeriprodukter bør opbevares i det koldeste sted i køleskabet.
4. Tilberedte retter bør opbevares i tætsluttende beholdere.
5. Emballerede friskvarer kan opbevares på hylderne. Friske frugter og grøntsager kan opbevares i grøntsagsskuffer.
6. Flasker kan opbevares i dørhylder eller på flaskehylde.
7. Fersk kød placeres på den koldeste plads i køleskabet. Lad ikke kødsaften fra fersk kød komme i kontakt med andre fødevarer.
8. For at sikre maksimal effekt og uhindret cirkulation af kold luft, bør de flytbare hylder ikke dækkes med papir eller andre materialer.
9. Opbevar ikke vegetabiliske olier på dørhylderne. Opbevar fødevarer emballeret, foliepakked eller tildækket. Rester af konserves bør ikke opbevares i dåsen.
10. For at tage skufferne ud af fryserummet, følg vejledningen i **Fig. 9**.

Temperaturkontrol og -regulering

Arbejdstemperaturen justeres ved hjælp af termostatknappen (**Fig. 5**) som kan indstilles på enhver position mellem 1 og 5 (koldeste indstilling).

Gennemsnitstemperaturen inde i køleskabet bør være omkring +5 °C

Justér derfor termostaten for at opnå den ønskede temperatur. Nogle sektioner af køleskabet kan være koldere og nogle varmere (som f.eks. grøntsagsskuffe og øverst i kabinettet). Dette er helt normalt. Vi anbefaler, at du kontrollerer temperaturen med et nøjagtigt termometer for at sikre, at rummene til opbevaring holdes på den ønskede temperatur.

Husk på, at der kommer kold luft ud, hver gang lågen åbnes, og den indvendige temperatur stiger. Derfor skal du aldrig efterlade lågen åben, og du skal sørge for, at den lukkes straks efter, at der er ilagt eller fjernet fødevarer.

Før ibrugtagning

Den sidste kontrol

Inden du begynder at bruge apparatet, bør du kontrollere at:

1. Fødderne er justeret, så apparatet står fuldstændig plant.
2. Apparatet er tørt indeni og luften kan cirkulere frit bag det.
3. Apparatet er rengjort sådan som anbefalet under 'Rengøring og vedligeholdelse'.
4. Stikket er tilsluttet til stikkontakten, og at der er tændt for strømmen. Når døren åbnes, vil det indvendige lys tændes.

Og bemærk at:

5. Der vil kunne høres en lyd, når kompressoren starter. Kølevæsken og luftarterne, der findes i kølesystemet, kan også støje lidt, uanset om kompressoren kører eller ej. Dette er helt normalt.
6. Oversiden af kabinettet kan være let bølget. Dette er helt normalt og skyldes produktionsprocessen, det er ikke en defekt.
7. Vi anbefaler, at knappen indstilles til midterpositionen, og at temperaturen overvåges for at sikre, at apparatet holder den ønskede opbevaringstemperatur (se afsnittet Temperaturkontrol og -regulering).

8. Fyld ikke apparatet op umiddelbart efter at have tændt for det. Vent til den korrekte opbevaringstemperatur er nået. Vi anbefaler, at temperaturen kontrolleres med et nøjagtigt termometer (se: Temperaturkontrol og -regulering).

9. HUSK at fjerne al emballage - også transportsikring i form af tape, flamingo, pap o.l. inden i skabet. Det er også vigtigt at fjerne evt. flamingo/pap i fordampere bakken bag på skabet, da der ellers er risiko for at der løber vand ud på gulvet.

Opbevaring af frostvarer

Din fryser er egnet til langtidsopbevaring af varer, som købes frosne, og den kan også anvendes til nedfrysning og opbevaring af friske fødevarer.

Undlad at åbne døren i tilfælde af strømafbrydelse. Frosne fødevarer burde ikke tage skade, hvis strømafbrydelsen varer mindre end 16 timer. Hvis afbrydelsen varer længere, bør fødevarerne kontrolleres og enten spises med det samme eller tilberedes og derefter genindfryses.

Frysning af friske fødevarer

Ved at følge disse retningslinier, opnås de bedste resultater.

Frys ikke for store mængder ad gangen. Fødevarernes kvalitet bevares bedst, hvis de indfryses komplet og så hurtigt som muligt. Overskrid ikke apparatets indfrysningsskapacitet pr døgn

Hvis varme fødevarer lægges i fryseren, vil det få kølesystemet til at køre uafbrudt, indtil fødevarerne er dybfrosne. Dette kan føre til en kortvarig forøget nedkøling af kølerummet.

Ved frysning af friske fødevarer skal termostatkontrollen holdes på midter-position. Små mængder fødevarer på op til 1/2 kg kan fryses uden at justere temperaturkontrolknappen.

Fremstille isterninger

Fyld isterningbakken 3/4 fuld med vand og sæt den i fryseren. Hvis bakken fryser fast, løsnes den med skaftet på en ske eller lignende; brug aldrig skarpe redskaber som f.eks. knive eller gafler.

Afrimning

A) Køleafdelingen

Køleskabsafdelingen afrimer automatisk. Vandet fra afrimningen løber via afløbsslangen til en opsamlingsbakke bag på apparatet (**Fig. 6**).

Under afrimning kan der dannes vanddråber på køleskabets bagvæg, hvor der findes en skjult fordampere. Det kan ske, at en del af disse dråber forbliver på bagvæggen hvor de fryser fast, så snart afrimningen er tilendebragt. Brug ikke spidse eller skarpe genstande som knive eller gafler til at fjerne disse frosne dråber.

Hvis det på et tidspunkt sker, at vandet fra afrimningen ikke løber ud af opsamlingskanalen, bør det kontrolleres, om drænslangen er blevet tilstoppet af fødevarerpartikler.

Drænrøret kan renses med en vatpind eller lignende.

Kontrollér, at rørets ende hele tiden er i opsamlingsbakken på kompressoren for at forhindre, at der spildes vand på de elektriske installationer eller på gulvet (**Fig. 7**).

B) Fryserum

Afrimning er ganske ligetil og uden griseri takket være en speciel opsamlingsbakke til afrimningsvand.

Afrim fryseren to gange om året, eller når der har samlet sig et rimlag på omkring 7 mm. For at påbegynde afrimningen slukkes for apparatet på stikkontakten, og stikket trækkes ud.

Samtlige frostvarer skal pakkes i flere lag avispapir og opbevares koldt (f.eks. i køleskab eller viktualierum).

Beholdere med varmt vand kan med forsigtighed placeres i fryseren for at sætte fart på afrimningen.

Der må ikke benyttes spidse eller skarpe genstande som knive og gafler til at fjerne rimlaget.

Brug aldrig hårtørrer, elektriske varmeovne eller lignende el-apparater til afrimning. Afrimningsvandet, som samler sig i bunden af fryseren, fjernes med en svamp. Efter afrimningen tørres fryserens indersider grundigt (**Fig. 8**). Sæt stikket i stikkontakten og tænd for strømmen.

Således sættes døren på plads

Fortsæt i numerisk rækkefølge (Fig. 10).

Udskiftning af den indvendige

lyspære

For at skifte lampen, der belyser køleskabet, bedes du ringe til den autoriserede service. Pærerne for dette husholdningsapparat er ikke egnet til belysningsformål. Det tiltænkte formål med denne pære er at gøre det muligt for brugeren at placere levnedsmidler i køleskabet/fryseren på en sikker og bekvem måde.

De pærer der anvendes i enheden, skal kunne modstå ekstreme fysiske forhold som eksempelvis temperaturer under -20°C .

Rengøring og vedligeholdelse

1. Vi anbefaler, at du slukker for apparatet på stikkontakten, og at stikket trækkes ud før rengøring.

2. Brug aldrig skarpe instrumenter eller slibematerialer, sæbe, husholdningsrengøringsmidler, vaskepulver eller polérvoks til rengøring.

3. Vask kabinettet i lunkent vand og tør det med en klud.

4. Anvend en fugtig klud vredet op i en opløsning af én teskefuld natriumbikarbonat (tvekulsurt natron) til 1/2 liter vand til rengøring af indersiderne, og tør efter med en klud.

5. Vær opmærksom på at der ikke kommer vand i temperaturkontrolboksen.

6. Hvis apparatet ikke skal benyttes i længere tid: Sluk for det, fjern alle fødevarer, rengør det, og lad døren stå på klem.

7. Støv, der samler sig på kompressoren, der er på bagsiden af apparatet, bør fjernes en gang om året med en støvsuger.

8. Kontroller dørens gummilister jævnligt for sikre, at de er rene og fri for fødevarerpartikler.

9. Man må aldrig:

- Rengøre apparatet med uegnede materialer, som f.eks. opløsningsmiddelbaserede produkter.

- På nogen måde udsætte det for høje temperaturer,

- Skure, skrubbe osv. med slibende materialer.

10. Sådan fjernes dørhylde: For at fjerne en dørhylde tømmes den for sit indhold, hvorefter den ganske enkelt løftes op fra sin plads.

11. Kontrollér at den særlige plastbakke, der er monteret bag på apparatet, og som opsamler afrimningsvandet, altid er ren. Følg nedenstående vejledning, hvis du ønsker at tage bakken ud for at rengøre den:

- Sluk for apparatet på stikkontakten og træk stikket ud
- For at fjerne vandsamlebakken, træk den og drej (venstre-højre).

- Rengør og aftør den

- Saml enheden igen ved at følge

instruktionerne i omvendt rækkefølge

12. For flytning af en skuffe skal den trækkes så langt ud som muligt, vip den opad og træk den så helt ud.

Husk at og Undlad at

Husk at rengøre apparatet med jævne mellemrum (se "Afrimning")

Husk at opbevare fødevarer så kort tid som muligt og overholde altid "Bedst før" og "Holdbar til" angivelserne.

Husk at optø fødevarerne i køleskabet.

Undlad at opbevare bananer i køleskabet.

Undlad at tildække hylderne med nogen form for beskyttende materiale, der kan forhindre luftcirkulationen.

Undlad at opbevare giftige eller farlige produkter i apparatet. Det er udelukkende beregnet til opbevaring af levnedsmidler

Undlad at lade døren stå åben i længere tid ad gangen da det vil øge driftsomkostningerne og føre til kraftig rimdannelse.

Undlad at bruge skarpe genstande såsom knive og gafler til at fjerne rimen.

Undlad at lægge flasker med flydende indhold eller dåser med kulsyreholdige drikke i fryseren, da de kan eksplodere.

Undlad at overskride den maksimale indfrysningkapacitet ved frysning af friske fødevarer.

Undlad at fryse kulsyreholdige drikkevarer.

Undlad at forsøge at bevare optøede frosne fødevarer; disse bør spises inden for 24 timer eller tilberedes og genindfryses.

Energiforbrug

Den maksimale fryseplads til frosne madvarer kan opnås uden brug af skufferne i fryseren. Energiforbruget for dit apparat er angivet for et fyldt fryserum uden brug af skuffer.

Praktiske råd om reduktion af strømforbrug.

Sørg for, at apparatet er placeret i tilstrækkeligt ventileret rum og i god afstand fra varmekilder, såsom komfur, radiator, osv. Placér ikke apparatet i direkte sollys.

Sørg for, at fødevarer købt i frossen tilstand placeres i apparatets hurtigst muligt, særlig i sommerperioden. Det anbefales at bruge termisk isolerede poser til at transportere fødevarerne hjem.

Vi anbefaler at placere frosne fødevarer i en beholder i køleskabet, når fødevarerne tages ud til optøning. På den måde forhindrer du, at vandet fra optøningen spildes i køleskabet. Vi anbefaler at begynde optøning mindst 24 timer inden de frosne fødevarer skal bruges. Åbn ikke apparatets dør oftere end det er nødvendigt, og sørg for at lukke den tæt efter hver åbning.

Information om støj og vibrationer, der kan opstå under apparatets drift

1. Støjen kan øges under driften.

- For at holde temperaturen på det niveau, du har indstillet, starter apparatets kompressor med jævne mellemrum. Støjen produceret af kompressoren bliver højere når den starter, og du kan høre en klik-lyd når den stopper.

- Apparatets ydeevne og driftsfunktioner kan ændre sig i henhold til temperaturændringer i det omgivende miljø. Det skal betragtes som normalt.

2. Lyde, der ligner en væske, der skvulper eller er sprøjtet.

- Disse lyde skyldes strømmen af kølemidlet i apparatets kredsløb og er i overensstemmelse med apparatets driftsprincipper.

3. Andre lyde og vibrationer.

- Støjens og vibrationens niveau påvirkes af den type og tilstand af gulvet, apparatet er placeret på. Sørg for, at gulvet ikke er ujævnt eller at det kan give sig under vægten af apparatet.

- Anden støj- og vibrationskilde kan udgøre genstande placeret på apparatet. Disse genstande skal fjernes.


Fejlfinding

Hvis apparatet ikke går i gang, når der tændes for det, kontrollér:

- Om stikket sidder rigtigt i stikkontakten, og at der er tændt for kontakten. (Tilslut et andet apparat for at kontrollere, om der er strøm på kontakten)
 - Om der er sprunget en sikring, HFI-relæet er slået fra eller om der er slukket for hovedafbryderen.
 - Om termostatkontrollen er indstillet korrekt.
- Hvis apparatet fortsat ikke går i gang efter ovenstående er kontrolleret, bør du kontakte GRAM service.

Det er vigtigt, at du foretager ovenstående kontrol, da du vil blive faktureret for servicebesøg, hvis der ingen fejl findes.



Symbolet  på produktet eller på emballagen angiver, at dette produkt ikke må behandles som husholdningsaffald. I stedet skal det overdrages til det afhentningsstedet for genbrug af det elektriske og elektroniske udstyr. Ved at sikre, at dette produkt bortskaffes korrekt, hjælper du til at forhindre negative konsekvenser for miljøet og den menneskelige sundhed, hvilket kan forårsages af ukorrekt bortskaffelse af dette produkt. For yderligere informationer omkring genbrug af dette produkt bedes du kontakte dit kommunekontor, din lokale genbrugsstation eller butikken, hvor du købte produktet.

Grattis till ditt nya GRAM kyl- och frysskåp.

Säkerheten först!

Anslut inte ditt kyl- och frysskåp till strömuttaget förrän allt emballage och alla transportskydd tagits bort.

- Låt det stå i minst fyra timmar innan det startas, så att kompressoroljan får rinna ner ordentligt om den transporterats horisontellt.
- Om du kasserar et gammalt kyl- och frysskåp med lås eller hake på dörren, se då till att det lämnas i säkert tillstånd så att inte barn kan stängas inne.
- Detta kyl- och frysskåp får bara användas i dess avsedda syfte.
- Kyl- och frysskåpet får inte brännas. Det innehåller icke ozonedbrytande substanser i isoleringen, vilka är brandfarliga. Vi föreslår att du kontaktar din lokala myndighet för information om bortskaffning och tillgängliga återvinningscentraler.
- Vi rekommenderar att detta kyl- och frysskåp inte används i ouppvärmda, kalla rum (t.ex. garage, källare, vindsrum, förråd, uthus, etc.).

För att erhålla bästa möjliga prestanda och driftsäkerhet är det viktigt att du läser igenom bruksanvisningen noga. Om dessa instruktioner förbises kan din gratiservice under garantitiden komma att begränsas.

Förvara bruksanvisningen på en säker plats så att du enkelt kan använda den som referens.

Kyl- och frysskåpet är inte avsedd för användning av personer med nedsatt fysisk, känslomässig eller mental förmåga eller en person som saknar grundläggande kunskaper om hur den används om han eller hon inte får tillräckligt mycket övervakning eller anvisningar från en person som ansvarar för säkerheten.

Barn bör bevakas så att de inte leker med kyl- och frysskåpet.

Elektriska krav

Innan du sätter i kontakten i uttaget bör du kontrollera att spänningen och frekvensen på klassificeringsplåten inuti enheten motsvarar ditt nät.

Vi rekommenderar att detta kyl- och frysskåp ansluts till huvudledningen via en korrekt kopplad och säkrad kontakt på en lättåtkomlig plats.

Kontakten måste vara åtkomlig efter installationen för att medge urkoppling av kyl- och frysskåpet från strömkällan.

Varning! Denna enhet måste jordas.

Reparationer av den elektriska utrustningen får endast utföras av behöriga experter. Om anslutningskabeln är skadad, skall tillverkaren eller servicecentret för GRAM byta ut den för att undvika fara.

OBSERVERA!

Detta här kyl- och frysskåpet drivs med R600a som är en miljöanpassad, men antändbar gas. Under transport och fixering av produkten måste du iaktta försiktighet så att du inte skadar kylsystemet. Om kylsystemet skadas och det uppstår en gasläcka ska du hålla produkten på avstånd från öppen eld och vädra rummet en stund.

VARNING - Använd inte elektriska enheter eller andra sätt för att snabba på avfrostningsprocessen, förutom det som rekommenderas av tillverkaren.

VARNING - Skada inte kylningskretsen.

Transportinstruktioner

1. Kyl- och frysskåpet får bara transporteras stående upprätt. Emballaget måste vara intakt under transporten.
2. Om kyl- och frysskåpet under transporten placerats liggande, får det inte användas på minst 4 timmar, så att systemet hinner stabilisera sig.
3. Om instruktionerna ovan inte följs kan skador uppstå på kyl- och frysskåpet, för vilka tillverkaren inte kan hållas ansvarig.
4. Kyl- och frysskåpet måste skyddas mot regn, fukt och annan, atmosfärisk påverkan.

Viktigt!

- Undvik att röra vid undersidan av kondensatorns metalltrådar på apparatens baksida under rengöring och när apparaten bärs, det kan orsaka skador på fingrarna och händerna.

- Försök inte att sitta eller stå på ditt kyl- och frysskåp, då det inte är avsedd för sådan användning. Du kan skada dig själv eller enheten.
- Se till att huvudkabeln inte fastnar under enheten under tiden och efter att den flyttats, då detta kan skada kabeln.
- Låt inte barn leka med kyl- och frysskåpet.

Installationsinstruktioner

1. Förvara inte kyl- och frysskåpet i ett rum där temperaturen kan falla till lägre än +10°C (50°F).
2. Placera inte kyl- och frysskåpet nära spisar eller element eller i direkt solljus, då detta kan orsaka extra belastning för kyl- och frysskåpets funktioner. Om den installeras bredvid en värmekälla, skall följande mått lämnas fritt bredvid kyl- och frysskåpet:
30 mm från spis
300 mm från element
3. Ge utrymme kring enheten för att tillåta fri luftcirkulation (**Fig. 2**).
 - Placera mellanlaget på apparatens baksida för att ställa in avståndet mellan apparaten och väggen (**Fig. 3**).
4. Kyl- och frysskåpet bör placeras på en vågrät yta. De båda främre benen kan justeras enligt behov. För att säkerställa att kyl- och frysskåpet står upprätt ska du justera de båda främre benen genom att vrida dem antingen med- eller moturs, tills du säkerställer full kontakt med golvet. Korrekt justering av främre benen motverkar överdrivna vibrationer och buller (**Fig. 4**).
5. Se avsnittet "Rengöring och vård" för att förbereda din enhet.
6. Om ni önskar att placera ett kylskåp och ett frysskåp bredvid varandra, som "side-byside", skall ni använda ett monteringsset. Monteringssetet innehåller en matta och en dekorationslist. Mattan skall monteras på sidan av det ena skåpet, med lite luft mellan. Dekorationslisten monteras mellan de två skåpen, så att den döljer mellanrummet mellan skåpen (**fig 2**). Monteringssetet är inte en del av produkten och skall levereras som tillbehör.


Lär känna ditt kyl- och frysskåp

(Fig. 1)

- 1 - Termostatvred och invändig belysning
- 2 - Flyttbara glashyllor
- 3 - Vattenbehållare
- 4 - Glashylla
- 5 - Grönsakslåda
- 6 - Fack för snabbfrysning
- 7 - Ställ för isbricka & isbricka
- 8 - Fack för förvaring av fryst mat
- 9 - Justerbara framben
- 10 - Dörrhyllor
- 11 - Flaskhylla

Förslag på placering av maten i enheten

Riktlinjer för att få optimal förvaring:

1. Kylen är till för kortvarig förvaring av färsk mat och dryck.
2. Frysen är klassad med  och passar för nedfrysning och förvaring av förfrysad mat. Rekommendationen för -förvaring som anges på matförpackningen skall alltid respekteras.
3. Mjölkprodukter ska förvaras på den kallaste platsen i kylskåpet.
4. Tillagad mat skall förvaras i lufttäta behållare.
5. Färska, förpackade produkter kan förvaras på hyllan. Färska frukter och grönsaker ska förvaras i grönsakslådorna.
6. Flaskor kan förvaras i dörrhyllorna eller på bottenhyllan.
7. För förvaring av färsk mat ska du vira in i polytenpåsar och placera dem på den kallaste platsen i kylskåpet. Låt inte köttsaft från rått kött komma i kontakt med annan mat.
8. För maximal effektivitet bör de flyttbara hyllorna inte kläs med papper eller andra material, så att den kalla luften kan cirkulera fritt.
9. Förvara inte vegetabilisk olja på dörrhyllorna. Förvara maten inpackad, plastad eller täckt. Överbliven konserverad mat bör inte förvaras i konservburken.
10. För att ta ut korgarna ur frysfacket ska du göra som i **Fig. 9**.

Temperaturkontroll och justering.

Drifttemperaturen styrs via termostatvredet (**Fig. 5**) och kan ställas in på valfritt läge mellan 1 och 5 (kallaste läget).

Medeltemperaturen inuti kylskåpet bör ligga runt +5°C (+41°F).

Justera därför termostaten för att erhålla önskad temperatur. Vissa delar av kylen kan vara kallare eller varmare (som t.ex. grönsakslådan och skåpets övre del), vilket är helt normalt.

Vi rekommenderar kontroll av temperaturen med en termometer för att kontrollera att förvaringshyllorna håller önskad temperatur. Kom ihåg att varje gång dörren öppnas så släpps luft ut och den invändiga temperaturen stiger. Lämna därför aldrig dörren öppen och se till att den stängs direkt efter att maten har lagts in eller tagits ut.

Innan du använder kyl- och frysskåpet

Slutlig kontroll

Kontrollera följande innan du börjar använda kyl- och frysskåpet.

1. Att frambenen justerats för perfekt planhet.
2. Att insidan är torr och att luften kan cirkulera fritt runt kyl- och frysskåpet.
3. Att insidan är ren enligt rekommendationerna i "Rengöring och vård."
4. Att kontakten satts i vägguttaget och att strömmen slagits på. När dörren öppnas kommer den invändiga belysningen att tändas.

Notera också att:

5. Du kommer att höra ett bullrande ljud när kompressorn startar. Vätskorna och gaserna i kylsystemet kan också ge upphov till ljud, oavsett om kompressorn går eller inte. Detta är helt normalt.
6. Lite vågformighet på skåpets ovansida är helt normalt på grund av den tillverkningsprocess som tillämpas; det är inte en defekt.
7. Vi rekommenderar att termostatvredet ställs in på medeltemperatur och att temperaturen övervakas, så att kyl- och frysskåpet håller önskad förvaringstemperatur (se avsnittet Temperaturkontroll och justering).
8. Fyll inte kyl- och frysskåpet direkt efter att den startats. Vänta tills korrekt förvaringstemperatur uppnåtts. Vi rekommenderar att temperaturen kontrolleras med en korrekt termometer (se Temperaturkontroll och justering).

9. Kom ihåg att ta bort allt förpackningsmaterial - inklusive transportsäkring i form av tejp, frigolit, kartong, etc. inuti skåpet. Det är också viktigt att avlägsna eventuell frigolit / kartong i förångarskålen på baksidan av skåpet, annars finns det risk att vattnet rinner ut på golvet.

Förvaring av fryst mat

Ditt kyl- och frysskåp är anpassad för långtidsförvaring av kommersiellt fryst mat och kan också användas för infrysning och förvaring av färsk mat.

Öppna inte dörren vid strömavbrott. Fryst mat skall inte påverkas om avbrottet om det inte pågår längre än 16 timmar. Om avbrottet pågår längre bör maten kontrolleras och antingen ätas upp direkt, eller tillagas och därefter.

Infrysning av färsk mat

Observera följande instruktioner för att uppnå bästa resultat.

Frys inte in för stora mängder på en gång. Matens kvalitet bevaras bäst om den blir genomfrost så snabbt som möjligt.

Överskrid inte din enhets infrysningskapacitet under 24 timmar.

Om varm mat placeras i frysen kommer kylaggregatet att arbeta oavbrutet tills maten är genomfrost. Detta kan tillfälligt leda till extra kylning av kylskåpet.

Placera termostatvredet i mittenläget vid infrysning av färsk mat. Mindre kvantiteter av mat upp till 1/2 kg (1 lb) kan frysas in utan att termostatvredet behöver justeras.

Göra isbitar

Fyll isbitsfacket till 3/4 med vatten och placera det i frysen. Lossa fastfrosna fack med ett skedhandtag eller liknande. Använd aldrig vassa instrument som knivar och gafflar.

Avfrostning

A) Kylan

Kylen avfrostas automatiskt. Avfrostningsvattnet rinner till dräneringsröret via en uppsamlingsbehållare på enhetens baksida (**Fig. 6**).

Under avfrostningen kan vattendroppar skapas på baksidan av kylan, där en dold avdunstningsapparat är placerad. En del droppar kan bli kvar på fodret och frysa till igen när avfrostningen är slutförd. Använd inga skarpa instrument som knivar eller gafflar för att ta bort de droppar som frusit fast.

Om avfrostningsvattnet vid något tillfälle inte rinner ut genom uppsamlingskanalen, kan du kontrollera så att inga matrester blockerat dräneringsröret.

Dräneringsröret kan rensas med en piprensare eller liknande.

Kontrollera att röret är permanent placerat med ena änden i uppsamlingsfacket på kompressorn för att förhindra att det rinner vatten på elaggregatet eller golvet (**Fig. 7**).

B) Frysen

Avfrostningen är väldigt rättfram och utan krångel, tack vare en speciell uppsamlingssskål.

Frosta av två gånger per år, eller när ett frostlager på runt 7 (1/4") mm bildats. För att starta avfrostningen stänger du av apparaten vid kontakten och drar ur huvudströmkabeln.

All mat bör lindas in i flera lager tidningspapper och förvaras på en sval plats (t.ex. kylskåp eller skafferri).

Behållare med varmt vatten kan försiktigt placeras i frysen för att snabba på avfrostningen.

Använd inga skarpa instrument som knivar eller gafflar för att ta bort frosten.

Använd aldrig en fön, elektrisk värmare eller andra liknande elektriska apparater för avfrostning.

Använd en svamp och torka ur avfrostningsvattnet som samlas i botten på frysen. Torka hela interiören när avfrostningen är klar (**Fig. 8**). Sätt i kontakten i vägguttaget igen och slå på strömmen.

Så här omplaceras dörren

Gå tillväga i nummerordning (**Fig. 10**).

Byte av innerbelysningens glödlampa

Ring auktoriserad service när du vill byta lampa.

Lamporna som används i utrustningen är inte anpassade som rumsbelysning. Det avsedda ändamålet för lamporna är att hjälpa användaren placera mat i kylskåpet/frysen på ett säkert och bekvämt sätt.

Lamporna i apparaten måste kunna tåla extrema fysiska förhållanden såsom temperaturer under -20°C.

Rengöring och vård

1. Vi rekommenderar att du stänger av kyl- och frysskåpet vid kontakten och att huvudströmkabeln dras ur.
2. Använd aldrig vassa instrument eller slipande medel, tvål, rengöringsmedel, tvättmedel eller polish för rengöring.
3. Använd ljummet vatten för rengöring av kyl- och frysskåpet och torka det torrt.
4. Använd en fuktig trasa urvriden i en lösning av en tesked bikarbonatsoda till en halv liter vatten, torka ur interiören och torka sedan torrt.
5. Se till att inget vatten kommer in i boxen för temperaturkontroll.
6. Om kyl- och frysskåpet inte kommer att användas under en längre tid, stäng då av den, plocka ur all mat, rengör den och lämna dörren på glänt.
7. Allt damm som samlas på avdunstningsapparaten, vilken är placerad baktill på kyl- och frysskåpet, bör tas bort en gång per år med en dammsugare.
8. Kontrollera dörrtätningen regelbundet så att den är ren och fri från matrester.
9. Du får aldrig:
 - Rengöra kyl- och frysskåpet med felaktiga material som t.ex. petroleumbaserade produkter.
 - På något sätt utsätta den för höga temperaturer.
 - Skura, skrubba etc., med slipande material.
10. För att ta bort ett dörrfack tar du först ur allt innehåll och trycker sedan enkelt upp det från sitt fäste.
11. Kontrollera att den speciella plastbehållaren på kyl- och frysskåpets baksida, vilken samlar upp avfrostningsvattnet, alltid är ren. Om du vill ta bort behållaren och rengöra den följer du instruktionerna nedan:
 - Slå av vid kontakten och dra ur huvudströmkabeln.
 - Ta bort vattenbehållaren genom att dra och vrida den (vänster-höger).
 - Rengör den och torka den torr.
 - Återplacera den med omvänt förfarande.
12. För att ta bort en låda drar du ut den så långt det går, luta den uppåt och dra ut den helt.

Kom ihåg att göra och inte göra

- Gör** rengör och avfrosta din enhet regelbundet (se "Avfrostning").
- Gör** förvara mat så kort tid som möjligt och håll fast vid datum som "Bäst före" och "Användes innan".
- Gör** tina mat i kylan.
- Undvik** att förvara bananer i kylan.
- Undvik** att täcka hyllorna med skyddande material som kan motverka luftcirkulationen.
- Undvik** att förvara giftiga eller skadliga substanser i din enhet. Den är endast konstruerad för förvaring av ätbara saker.
- Undvik** att lämna dörren öppen under längre perioder, då detta gör enheten dyrare i drift och orsakar ökad isbildning.
- Undvik** att använda skarpa instrument som knivar eller gafflar för att ta bort isen.
- Undvik** att överstiga maximala infrysningsmängden vid infrysning av färsk mat.
- Undvik** att försöka behålla fryst mat som tinat. Den skall ätas inom 24 timmar eller tillagas och frysas om.

Energiförbrukning

Maximal volym för fryst mat uppnås utan att du använder lådorna som finns placerade i frysfacket. Energiförbrukningen för enheten deklarerar när frysfacket är fullt utan att lådorna används.

Praktiska råd gällande reduktion av elförbrukningen.

1. Se till att kyl- och frysskåpet är placerad på en väl ventilerad plats, på långt avstånd från värmekällor (spis, element etc.). Placera inte kyl- och frysskåpet i direkt solljus.
2. Se till att maten som har köpts nedkyld/fryst ställs in så snabbt som möjligt i kyl- och frysskåpet, speciellt under sommartid. Vi rekommenderar att du använder termoisolerade påsar för att transportera hem maten.
3. Vi rekommenderar att du placerar fryst mat i ett kärl i kylfacket när mat ska tina. På det här sättet undviker du att det läcker vatten in i kylskåpet. Vi rekommenderar att du börjar upptiningen minst 24 timmar innan du ska använda den frysta maten.

4. Låte inte dörren till kyl- och frysskåpet vara öppen mer än nödvändigt och se till att den stängs ordentligt varje gång.

Information rörande ljud och vibrationer som kanske uppstår under användning av enheten

1. Driftsljudet kan öka under användningen.
- För att hålla temperaturen på det värde du har ställt in startar kompressorn med jämna mellanrum. Ljudet orsakas av att kompressorn arbetar hårdare när den startar och ett klickljud kan höras när den stannar.

- Prestandan och driftsfunktionerna för enheten kan ändras beroende på modifieringar av temperaturen för den omgivande miljön. Detta är att betrakta som normalt.

2. Ljud som låter som rinnande vätska eller sprayljud

- De här ljuden orsakas av att kylmedlet som passerar genom kylkretsarna och efterlever reglerna för kyl- och frysskåpets driftsfunktioner.

3. Andra vibrationer och ljud.

- Nivån på ljudet och vibrationerna kan orsakas av typen av golv på vilket kyl- och frysskåpet placeras. Se till att golvet inte lutar eller är ojämnt, eftersom det kan ge viktfordelning för kyl- och frysskåpet (den är flexibel).

- En annan källa för ljud och vibrationer representeras av objekt som har placerats på kyl- och frysskåpet. De här objekten måste tas bort från kyl- och frysskåpet.

Felsökning


Om apparaten inte fungerar när den slagits på, kontrollera:

- Att kontakten sitter ordentligt i vägguttaget och att strömmen är påslagen. (Sätt i en annan apparat för att kontrollera strömförsörjningen i uttaget)
- Om säkringen gått/kretsbrytaren har slagit ifrån/huvudströmbrytaren stängts av.
- Att termostatreglaget ställts in rätt.
- Att den nya kontakten dragits ordentligt, om du har ändrat den påmonterade, formade kontakten.

Om kyl- och frysskåpet fortfarande inte fungerar efter kontrollerna ovan ska du kontakta GRAM service.

Försäkra dig om att kontrollerna ovan utförts, eftersom en avgift tillkommer om kyl- och frysskåpet inte visar sig vara sönder.



Symbolen  på produkten eller förpackningen indikerar att den här produkten inte får kastas som hushållsavfall. Den ska i stället lämnas på speciella insamlingsställen för återvinning av elektriskt och elektroniskt avfall. Genom att säkerställa att produkten avyttras på rätt sätt bidrar du till att förhindra potentiella, negativa konsekvenser för miljön och den mänskliga hälsan. Annars kan avfallshanteringen bli felaktig för produkten. Om du vill ha mer detaljerad information om återvinning av den här produkten ska du kontakta din kommun, renhållningsbolaget eller den butik där du inhandlade produkten.

Gratulerer med nya GRAM kombiskapet dit.

Sikkerheten kommer først!

Ikke koble kombiskapet til strømnettet før du har fjernet alt pakkemateriale og transportbeskyttelse.

- La kombiskapet stå i minst 4 timer før du skrur det på, slik at oljen i kompressoren får stabilisere seg hvis kombiskapet ble transportert horisontalt.
- Hvis du skal kaste et gammelt kombiskap som har lås eller smekklås montert i døren må du sikre at det blir plassert under sikre forhold for å unngå at det blir en felle for barn.
- Dette apparatet må bare brukes til det formålet det er tiltenkt.

- Ikke kvitt deg med kombiskapet ved å brenne det.

Kombiskapet inneholder ikke CFC stoffer i isolasjonen som er brennbare. Vi forslår at du kontakter de lokale myndighetene for å få informasjon om hvordan du skal kvitte deg med kombiskapet og hva slags anlegg som finnes for dette formålet.

- Vi anbefaler deg ikke å bruke kombiskapet i et ikke oppvarmet kaldt rom (f.eks. garasjen, vinterhage, annek, skjul, uthus osv.).

For å få best mulig ytelse og problemfri drift er det viktig å lese bruksanvisningen nøye. Hvis du ikke overholder denne bruksanvisningen, kan det redusere retten til gratis service i garantiperioden.

Oppbevar denne bruksanvisningen på et sikkert sted slik at du lett kan slå opp i den ved behov.

Dette apparatet er ikke ment for bruk av personer med reduserte fysiske, sensoriske eller mentale evner, eller manglende erfaring og kunnskap, med mindre de er gitt opplæring eller instruks i bruk av apparatet av en person som er ansvarlig for deres sikkerhet.

Barn må passes for å sikre at de ikke leker med apparatet.

Krav til det elektriske anlegget

Før du setter pluggen i uttaket må du forsikre deg om at spenningen og frekvensen som står på apparatskiltet tilsvarer strømtilførselen i huset dit.

Vi anbefaler at dette apparatet blir koblet til strømforsyningen ved hjelp av en kontakt som styres av en lett tilgjengelig bryter og sikring. Støpselet må være tilgjengelig etter installasjon for å kunne gjøre det mulig med frakobling av apparatet fra forsyningen etter installasjonen.

Advarsel! Dette apparatet må være jordet.

Reparasjoner på det elektriske utstyret kan kun foretas av autoriserte teknikere. Hvis strømledningen er skadet, må produsenten eller GRAM service erstatte den for å unngå fare.

OBS!

Dette apparatet drives med R600a, som er en miljøvennlig, men antennelig gass. I løpet av transport og montering av produktet må det utvises forsiktighet, slik at kjølesystemet ikke skades. Hvis kjølesystemet er skadet og det lekker gass fra systemet, skal produktet holdes på avstand fra åpne flammekilder, og rommet skal ventileres en stund.

ADVARSEL - Ikke bruk elektrisk utstyr eller andre midler for å akselerere avisingsprosessen annet enn slikt utstyr som produsenten anbefaler.

ADVARSEL - Pass på så du ikke skader kjølekretsen.

Transportanvisninger

1. Kombiskapet må bare transporteres stående. Pakkingen må være intakt under transport.
2. Hvis apparatet skulle være plassert horisontalt under transport, må du vente minst 4 timer før du starter det opp for at systemet skal få stabilisert seg.
3. Hvis disse anvisningene ikke overholdes kan det resulterer i at kombiskapet blir skadet. Produsenten er ikke ansvarlig for slik skade.
4. Kombiskapet må beskyttes mot regn, fuktighet og andre atmosfæriske påvirkninger.

Viktig!

- Unngå å berøre metallstrengene i bunnen av kondensatoren på baksiden av apparatet mens du rengjør eller bærer apparatet fordi dette kan skade fingre og hender.
- Ikke prøv å sitte eller stå oppå kombiskapet. Det er ikke laget for slikt bruk. Du kan skade deg selv eller ødelegge kombiskapet.

- Pass på at apparatkabelen ikke blir liggende under kombiskapet under eller etter at det er flyttet i og med at dette kan skade kabelen.
- Ikke la barn leke med kombiskapet.

Installasjonsanvisninger



1. Ikke oppbevar apparatet i et rom der det er sannsynlig at temperaturen faller under +10 °C (50 °F).
2. Ikke plasser kombiskapet nær komfyren eller radiatorer eller i direkte sollys i og med at dette vil forårsake en ekstra belastning på kombiskapet. Hvis det blir installert nær en varmekilde, må du holde følgende minimumsklaring:
30 mm fra komfyrer
300 mm fra radiatorer
3. Pass på at det er nok plass rundt kombiskapet slik at luften kan sirkulere fritt (**Fig. 2**).
- Plasser avstandsstykket på baksiden av kombiskapet for å finne den riktige avstanden mellom kombiskapet og veggen (**Fig. 3**).
4. Kombiskapet skal posisjoneres på en plan flate. De to fremre bena kan justeres. For å sikre at kombiskapet står loddrett kan du justere de to fremre bena ved å justere dem med eller mot urviseren til de har god kontakt med gulvet. Korrekt justering av forbena hindrer unødig vibrasjon og støy (**Fig. 4**).
5. Se under kapitlet "Rengjøring og stell" for å forberede kombiskapet for bruk.
6. Hvis du ønsker å plassere to produkter side ved side, anbefaler vi at du kjøper et dekorasjonssett, som inkluderer en matte som plasseres på siden av produktet. En dekorasjonsdel er plassert mellom produktene for å skjule åpningen mellom produktene (**Fig. 2**).

Bli kjent med kombiskapet (Fig. 1)

- 1 - Termostatkontroll og innvendig lys
- 2 - Avtakbare glasshyller
- 3 - Vannsamler
- 4 - Glasshylle
- 5 - Grønnsaksskuff
- 6 - Hurtigfrysingsdel
- 7 - Isbrettstøtte og isbrett
- 8 - Deler for oppbevaring av frosne matvarer
- 9 - Justerbare forben
- 10 - Dørhyller
- 11 - Flaskehylle

Forslag til plassering av matvarer i kombiskapet

Retningslinjer for å oppnå optimal lagring:

1. Kjøleskapsdelen brukes for kortvarig oppbevaring av ferske matvarer og drikkevarer.
2. Fryserdelen er merket  og egner seg for frysing og lagring av frosne matvarer. Se alltid på anbefalingene om matvaren egner seg for  frysing.
3. Melkeprodukter bør lagres på de kaldeste stedene i kombiskapet.
4. Tilberedt mat bør lagres i lufttette bokser.
5. Ferske innpakkeede matvarer kan oppbevares på hyllene. Frisk frukt og grønnsaker kan lagres i grønnsaksskuffene.
6. Flasker kan oppbevares i dørhyllene eller på flaskehyllen.
7. Lagre ferskt kjøtt i plastposer plassert på den kaldeste plassen i kombiskapet. Ikke la kjøttsaft fra fersk mat komme i kontakt med annen mat.
8. For å oppnå maksimal effekt bør ikke de flyttbare hyllene dekkes av papir eller andre materialer slik at den kalde luften kan få sirkulere fritt.
9. Ikke oppbevar vegetabilsk olje i hyllene i døren. Oppbevar mat pakket inn eller tildekket. Rester av hermetikk bør ikke lagres i hermetikkboksen.
10. For å ta ut skuffene fra fryserdelen, vennligst gå frem slik som i **Fig. 9**.

Temperaturkontroll og justering

Driftstemperaturene styres av termostatknappen (**Fig. 5**) og kan settes i alle posisjoner mellom 1 og 5 (den kaldeste innstillingen).

Gjennomsnittstemperaturen inne i kombiskapet bør ligge på om lag +5°C.

Juster innstillingsknappen for å oppnå ønsket temperatur. Noen deler av kombiskapet kan være kjøligere eller varmere (som for eksempel grønnsaksskuffen og den øverste delen av skapet) noe som er helt normalt.

Vi anbefaler at du kontrollerer temperaturen med et nøyaktig termometer for å se til at oppbevaringsrommene holdes ved ønsket temperatur. Vennligst husk at kald luft siver ut hver gang døren åpnes, slik at den innvendige temperaturen øker. Derfor skal døren aldri stå åpen, og se til at den lukkes umiddelbart etter at maten legges inn eller tas ut.

Før bruk

Siste kontroll

Før du begynner å bruke kombiskapet må du kontrollere at:

1. Forbena er justert slik at skapet står riktig.
2. Innsiden av skapet er tørr og at luften kan sirkulere fritt rundt apparatet.
3. Interiøret er rent slik det er anbefalt under "Rengjøring og stell".
4. Pluggen er satt inn i vegguttaket og at strømmen er skrudd på. Lyset i skapet skrues på når du åpner døren.

Og merk deg at:

5. Du vil høre en lyd når kompressoren starter. Væsken og gassene som er forseglet inne i kjølesystemet også kan lage litt støy enten kompressoren går eller ikke. Dette er helt normalt.
6. Toppen av skapet kan være noe bølgende, og dette er helt normalt og skyldes den produksjonsmetoden som har vært benyttet; det er ingen feil.
7. Vi anbefaler deg å sette knotten midt på og overvåke temperaturen for å sikre at kombiskapet opprettholder ønsket lagringstemperatur (Se kapitlet Temperaturkontroll og justering).
8. Ikke fyll kjøleskapet like etter at det er skrudd på. Vent til at det har nådd riktig lagringstemperatur. Vi anbefaler deg å kontrollere temperaturen med et nøyaktig termometer (se kapitlet om Temperaturkontroll og justering).
9. Husk å ta vekk all emballasjen - også transportsikringer inni skapet i form av teip, isopor, papp og liknende. Det er også viktig å fjerne evt isopor/papp i fordamperskålen på baksiden av skapet, hvis dette ikke fjernes er det risiko for at renner vann ut på gulvet.

Lagring av frosne matvarer

Fryseren din er egnet for langtidslagring av frosne matvarer og kan også brukes til å fryse inn og lagre ferske matvarer.

Hvis det skulle oppstå strømstans, må du unngå å åpne døren. Frossen mat vil ikke påvirkes hvis feilen varer i mindre enn 16 timer. Hvis feilen varer lenger, skal maten kontrolleres og enten spises straks eller tilberedes og fryses inn igjen.

Frysing av ferske matvarer

Vennligst overhold følgende anvisninger for å oppnå best mulig resultat.

Ikke frys inn for store kvanta samtidig.

Kvaliteten på matvarene blir best ivaretatt når de blir gjennomfrosne så snart som mulig.

Ikke gå ut over frysekapasiteten i apparatet over 24 timer.

Hvis du plasserer varm mat inn i fryseren vil frysermaskinen arbeide kontinuerlig til at matvarene er gjennomfrosne. Dette kan føre til midlertidig nedkjøling av kjøleskapsdelen. Når du fryser ferske matvarer, bør du holde termostatkontrollen i midtstilling. Mindre matmengder på inntil 1/2 kg kan fryses uten å justere temperaturkontrollknappen.

Lag isbiter

Fyll isbitbrettet 3/4 fullt med vann og plasser det i fryseren. Du kan løsne fastfrosne brett med skaftet til en skje eller tilsvarende redskap. Bruk aldri skarpe redskaper som kniver eller gafler.

Avriming

A) Kjøleskapsdel

Kjøleskapsdelen ises av automatisk.

Avisingsvannet renner ned avløpsrøret via et samlekar på baksiden av kjøleskapet (**Fig. 6**). Under avriming vil det danne seg vanndråper bakerst i kjøleskapet der det er skjult en evaporator. Det kan være igjen noen dråper på avstandsstykket som kan fryse til når avisingen er avsluttet. Ikke bruk spisse eller skarpe gjenstander som kniver eller gafler til å fjerne frosne dråper.

Hvis avrimingsvannet ikke skulle renne ut fra samlerennen, må du kontrollere at det ikke ligger igjen noen matsmuler som kan ha stoppet til avløpsrøret.

Avløpsrøret kan åpnes ved hjelp av en bomullspinne eller noe tilsvarende.

Kontroller at slangen permanent er plassert med enden i oppsamlingsbrettet på kompressoren for å forhindre vannsøl på den elektriske installasjonen eller gulvet (**Fig. 7**).

B) Frysedel

Avisingen er enkel og medfører intet søl takket være et spesielt oppsamlingskar for avisingsvann.

Is av to ganger i året eller når det har dannet seg et islag på om lag 7 mm.

For å starte avisingen skru du av kombiskapet ved vegguttaket og trekker ut pluggen til apparatkabelen.

Alle matvarene må pakkes inn i mange lag avisepapir og lagres på et kaldt sted (det vil si et kjøleskap eller et spiskammer).

Sett inn boller med varmt vann i fryseren for å sette fart på avisingen.

Ikke bruk spisse eller skarpe gjenstander som kniver eller gafler til å fjerne isen.

Bruk aldri hårtørrere, elektriske varmeovner eller andre elektriske apparater til avisingen. Bruk en svamp for å tørke av avisingsvannet i bunnen av fryseren. Etter avisingen må du tørke godt av inne i fryseren (**Fig. 8**). Sett innpluggen inn i vegguttaket og skru på strømmen.

Slik reposisjonerer du døren

Gå frem i nummerrekkefølge (**Fig. 10**).

Utskifting av lyspæren inne i skapet

For å skifte lampen for belysning av kjøleskapet, vennligst ring autorisert service. Lampen(e) som brukes i denne enheten er ikke egnet for belysning i hjem. Formålet for denne lampen er å hjelpe brukeren til å plassere matvarer i kjøleskapet/fryseren på en trygg og komfortabel måte.

De lampen die in dit apparaat worden gebruikt moeten bestendig zijn tegen extreme fysieke omstandigheden, zoals temperaturen beneden de -20°C.

Rengjøring og stell

1. Vi anbefaler deg å skru av kombiskapet ved vegguttaket og trekke ut pluggen til apparatkabelen før du starter rengjøringen.
2. Bruk aldri skarpe redskaper eller rengjøringsmidler med skureeffekt, såpe, rengjøringsmidler for hjemmebruk eller voks til rengjøringen.
3. Bruk lunkent vann for å vaske skapet og tørk det tørt.
4. Bruk en fuktig klut vridd opp i en oppløsning av en teskje bikarbonatsoda til ca. ½ liter vann for å rengjøre innsiden av skapet og tørk det tørt.
5. Pass på at det ikke kommer vann inn i temperaturkontrollboksen.
6. Hvis kombiskapet ikke skal brukes over en lengre periode skru du det av, tar ut alle matvarer, rengjør det og setter døren på klem.

7. Eventuelt støv på kondensatoren som du finner på baksiden av kombiskapet, bør fjernes en gang i året med støvsugeren.
8. Kontroller pakningene til dørene jevnlig for å sikre at de er rene og fri for matrester.
9. Du må aldri:
- * Rengjøre kombiskapet med uegnede midler så som petroleumsbaserte produkter.
 - * Utsette det for høye temperaturer på noen som helst måte.
 - * Skure, slippe etc. med noe slipemiddel.
10. For å demontere dørbrettet tar du først ut alt innholdet og så skyver du ganske enkelt dørbrettet opp fra bunnen.
11. Pass på at den spesielle plastbeholderen bak på kombiskapet som samler opp avisingsvannet alltid er ren. Hvis du ønsker å ta ut beholderen for å rengjøre den, følger du anvisingene nedenfor:
- Slå av ved vegguttaket og trekk ut strømstøpselet.
 - For å fjerne vannoppsamlingsbrettet trekk ut og dreii (venstre-høyre).
 - Rengjør den og tørk den.
 - Monter den inn igjen i motsatt rekkefølge.
12. For å ta ut en skuff drar du den ut så langt det er mulig, tipper den opp og trekker den helt ut.

Ting du må gjøre og ting du ikke må gjøre

Dette må du gjøre rengjør kombiskapet jevnlig (se "Avriming")

Dette må du gjøre oppbevar matvarene så kort tid som mulig og merk dem med "Best før" og "Brukes innen" med datoer.

Dette må du gjøre tin matvarene i kjøleskapet.

Dette må du ikke gjøre lagre bananer i kjøleskapet.

Dette må du ikke gjøre dekk til hyllene med noe beskyttende materiale som kan hindre luftsirkulasjonen.

Dette må du ikke gjøre lagre giftige eller noen farlige stoffer i kombiskapet. Det er kun laget for å lagre spiselige matvarer.

Dette må du ikke gjøre la døren stå åpen i lengre tid da dette vil gjøre at kombiskapet vil bruke mer energi og forårsake unødig isdannelse.

Dette må du ikke gjøre bruk spisse eller skarpe gjenstander som kniver eller gafler til å fjerne isen.

Dette må du ikke gjøre legg inn mer mat enn maksimalt anbefalt mengde når du fryser inn ferske matvarer.

Dette må du ikke gjøre prøv å oppbevare frosne matvarer som har tint: de bør spises innen 24 timer eller tilberedes og så fryses igjen.

Energiforbruk

Et maksimalt lagringsvolum for frossen mat oppnås uten å bruke skuffene som finnes i fryseren. Apparatets strømforbruk er deklartert mens fryseren er fullastet uten å bruke skuffene.

Praktisk råd vedrørende reduksjon av strømforbruk.

1. Se til at apparatet befinner seg på godt ventilerte steder, på god avstand fra varmekilder (komfyr, radiator osv.). Og ikke plasser apparatet i direkte sollys.
2. Se til at mat som kjøpes i nedkjølt/frossen tilstand plasseres i apparatet så snart som mulig, spesielt om sommeren. Det anbefales å bruke termisk isolerte poser til å transportere maten hjem.
3. Vi anbefaler at du plasserer frossen mat i en beholder i kjøleskapsdelen når maten må tine. På denne måten unngår du at vannet fra tiningen lekker inne i kjøleskapet. Vi anbefaler at du starter tiningen minst 24 timer før du skal bruke frossenmaten.
4. Ikke hold døren til kjøleskapet åpen mer enn nødvendig, og se til at døren lukkes godt etter hver åpning.

Informasjon om støy og vibrasjoner som kan oppstå i løpet av driften av apparatet


1. Driftsstøyen kan øke i løpet av driften.
 - For å holde temperaturene ved de innstilte temperaturene, starter kompressoren på apparatet regelmessig. Støyen som kommer fra kompressoren blir sterkere når den starter, og et klikk kan høres når den stopper.
 - Ytelsen og driftsfunksjonene til apparatet kan endres ifølge endringene av omgivelsestemperaturen. De må betraktes som normale.
2. Støy som ligner væsker som flyter eller som sprayer
 - Disse lydene forårsakes av flyten av kjølevæsken i kretsen til apparatet og oppfyller driftsprinsippet til apparatet.
3. Andre vibrasjoner og lyder.
 - Støynivået og vibrasjonene kan forårsakes av typen gulv og måten apparatet er plassert på gulvet. Se til at gulvet ikke har betydelige ujevnheter og at det kan håndtere vekten på apparatet (det er fleksibelt).
 - En annen støykilde og vibrasjoner oppstår fra gjenstander som plasseres på apparatet. Disse gjenstandene må fjernes fra apparatet.

Feilsøking

Hvis apparatet ikke virker når det slås på, kontroller:

- At pluggen er satt i vegguttaket og at det er strøm i kontakten. (For å kontrollere at det er strøm i kontakten plugges du bare inn et annet elektrisk apparat).
 - Om sikringen er gått/, kretsbyteren er utløst eller om hovedsikringen er skrudd av.
 - At termostatkontrollen er stilt inn riktig.
 - At den nye pluggen er koblet riktig, hvis du har skiftet den påmonterte støpte pluggen.
- Hvis apparat ennå ikke virker etter at du har kontrollert de punktene som står ovenfor, ta kontakt med GRAM service.
- Pass på at du har utført de kontrollpunktene som står over i og med at du vil bli fakturert hvis det ikke finnes noen feil.



Symbolet  på produktet eller på pakningen indikerer at dette produktet ikke skal behandles som husholdningsavfall. I stedet skal det innleveres til et avfallsinnsamlingspunkt for resirkulering av elektrisk og elektronisk utstyr. Ved å sikre at dette produktet avhendes på riktig måte, vil du bidra til å forebygge potensielle negative konsekvenser for miljøet og menneskelig helse, hvilket kan være resultatet ved feil avfallshåndtering av dette produktet. For mer detaljert informasjon om resirkulering av dette produktet, vennligst ta kontakt med myndighetene, renholdsverket der du bor eller butikken der du kjøpte produktet.

Onnittelemme uuden GRAM jääkaappipakastimen omistajaa.

Tärkeitä turvaohjeita!

Älä liitä laitetta verkkoon, ennen kuin kaikki pakkausmateriaalit ja kuljetussuojat on poistettu.

- Anna laitteen olla sisätiloissa pystyasennossa ainakin 4 tuntia, ennen kuin kytket sen päälle, jotta kompressorijäät asetuvat, jos laitetta on kuljetettu vaakatasossa.
- Mikäli hävität vanhan laitteen, jonka ovenssa on lukko tai salpa, varmista että se on lukkiutumattomassa asennossa, jotteivät lapset jää mahdollisesti loukkuun.
- Laitetta tulee käyttää ainoastaan käyttötarkoitukseensa.
- Älä hävitä laitetta polttamalla. Laitteen eristysmateriaali sisältää freonittomia aineita, jotka ovat herkästi syttyviä. Suosittelemme, että otat yhteyttä paikallisviranomaisiin saadaksesi lisätietoja laitteen hävittämisestä.
- Laitteen käyttöä lämmittämättömissä, kylmissä tiloissa, esimerkiksi autotallissa, kuistilla, lisärakennuksessa, vajassa jne., ei suositella.

On hyvin tärkeää lukea tämä käyttöopas huolella saadaksesi laitteesta parhaan mahdollisen hyödyn ja häiriöttömän käytön. Käyttöohjeiden noudattamatta jättäminen saattaa johtaa takuuajan ilmaisen huollon raukeamiseen.

Säilytä käyttöohjeet varmassa paikassa myöhempää käyttöä varten.

Tätä laitetta ei ole tarkoitettu sellaisten henkilöitten käytettäväksi, joilla on heikentyneet fyysiset, aistimelliset tai henkiset kyvyt tai joilta puuttuu kokemusta ja tietoa, jollei heidän turvallisuudestaan vastaava henkilö valvo heitä ja anna heille tietoja laitteen käytöstä.

Pieniä lapsia on valvottava, etteivät he leiki laitteen kanssa.

Sähkötekniset vaatimukset

Ennen kuin laitat pistokkeen pistorasiaan, varmista, että laitteen sisällä olevan tyyppikilven jännite ja taajuus vastaavat saatavilla olevaa verkkovirtaa.

Suosittelimme laitteen liittämistä sähköverkkoon helposti saatavilla olevan oikealla tavalla kytketyn ja sulakkeella varustetun pistorasian kautta.

Pistokkeen on oltava asentamisen jälkeen tavoitettavissa, jotta laite voidaan irrottaa pistorasiasta.

Varoitus! Laite täytyy maadoittaa.

Vain valtuutettu huoltohenkilöstö saa korjata sähkölaitteita. Jos sähköjohto on vaurioitunut, valmistajan tai GRAM-huollon on vaihdettava se vaaran välttämiseksi.

HUOMIO!

Laitteen kylmäaineena on R600a, joka on ympäristöystävällinen, mutta syttyvä kaasu. Laitteen kuljetuksen ja asennuksen aikana on varottava vahingoittamasta jäähdytysjärjestelmää. Jos jäähdytysjärjestelmä vaurioituu ja järjestelmästä vuotaa kaasua, pidä laite kaukana avotulesta ja tuuleta tilaa jonkin aikaa.

VAROITUS - Älä käytä sulatusprosessin nopeuttamiseen sähkölaitteita tai muita keinoja, joita valmistaja ei suosittele.

VAROITUS - Älä vaurioita jäähdytysvirtapiiriä.

Kuljetusohjeet

1. Laitetta tulee kuljettaa ainoastaan pystyasennossa. Pakkausmateriaalin tulee olla kuljetuksen aikana paikoillaan.
2. Jos laite on kuljetuksen aikana ollut vaakasuorassa asennossa, sitä ei saa käyttää vähintään neljään (4) tuntiin, jotta järjestelmä tasaantuu.
3. Edellä olevien ohjeiden laiminlyöminen voi aiheuttaa laiteaurion, josta valmistaja ei ole vastuussa.
4. Laite on suojattava sateelta, kosteudelta ja muilta sääolosuhteilta.

Tärkeää!

- Laitteen puhdistuksen ja kuljetuksen aikana on varottava koskettamasta laitteen takana oleviin jäähdyttimen metallilankoihin, sillä ne voivat vahingoittaa sormia ja käsiä.
- Älä istu tai seiso laitteen päällä, sillä sitä ei ole suunniteltu siihen tarkoitukseen. Voit loukkaantua tai vahingoittaa laitetta.

- Varmista, ettei sähköjohto jää laitteen alle siirron aikana tai sen jälkeen, sillä johto voi vahingoittua.

Älä anna lasten leikkiä laitteella tai sormeilla säätimiä.

Asennusohjeet

1. Älä käytä laitetta tilassa, jossa lämpötila saattaa laskea alle +10 °C.
2. Älä sijoita laitetta liesien tai lämpöpattereiden läheisyyteen tai suoraan auringonvaloon, koska se aiheuttaa ylimääräistä rasitusta laitteen toiminnoille. Jos laite asennetaan lämmönlähteen viereen, noudata seuraavia minimietäisyysohjeita:
Liesistä 30 mm
Lämpöpattereista 300 mm
3. Varmista, että laitteen ympärillä on riittävästi tilaa, jotta ilma pääsee kiertämään **(Kuva 2)**.
- Laita laitteen taakse välikappale saadaksesi laitteen ja seinän väliin riittävästi tilaa **(Kuva 3)**.
4. Laite on sijoitettava tasaiselle alustalle. Kahta etujalkaa voidaan tarpeen mukaan säätää. Varmistaaksesi, että laite on suorassa, säädä kahta etujalkaa kääntämällä joko myötä- tai vastapäivään, kunnes tukeva ote lattiasta on varmistettu. Etujalkojen oikea säätö estää liiallisen tärinän ja melun **(Kuva 4)**.
5. Katso kohta "Puhdistus ja huolto" valmistellaksesi laitteen käyttöön.
6. Mikäli laite sijoitetaan rinnakkain toisen kylmälaitteen kanssa, on käytettävä asennussettiä, johon kuuluu matto ja koristelista. Matto kiinnitetään laitteen sivulle niin, että kaappien väliin jää hiukan tilaa. Koristelista asennetaan kaappien väliin piilottamaan tyhjä tila **(kuva 2)**. Asennussetin voi hankkia lisävarusteena.

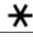

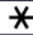

Laitteen ominaisuudet

(Kuva 1)

- 1 - Termostaattiohjaus ja sisävalo
- 2 - Irrotettavat lasihyllyt
- 3 - Vedenkerääjä
- 4 - Lasihylly
- 5 - Vihanneslokero
- 6 - Pikapakastusosasto
- 7 - Jääpalalokeron tuki ja jääpalalokero
- 8 - Pakasteiden säilytysosasto
- 9 - Säädettävät etujalat
- 10 - Ovihyllyt
- 11 - Hylly pulloille

Ehdotus ruokien sijoittamisesta laitteeseen

Ohjeet parhaaseen säilyvyyteen:

1. Jääkaappiosasto on tarkoitettu tuoreiden ruokien ja juomien lyhytaikaiseen säilytykseen.
2. Pakastinosasto on  -luokiteltu ja tarkoitettu pakastettujen ja esipakastettujen ruokien säilytykseen.
- Pakkauksen päällysteen   säilytys-suositusta tulee aina noudattaa.
3. Meijerituotteita tulee säilyttää jääkaappiosaston kylmimmissä tiloissa.
4. Valmiit ruuat tulee säilyttää ilmatiiviissä rasioissa.
5. Tuoreita muoviin käärittyjä tuotteita voi pitää hyllyillä. Tuoreet hedelmät ja vihannekset voidaan säilyttää vihanneslokerossa.
6. Pulloja voi pitää ovesa tai pullohyllyillä.
7. Säilytä raakaa lihaa muovikääreessä jääkaapin kylmimmässä kohdassa. Älä anna tuoreen lihan lihanesteiden joutua kosketuksiin muiden ruokien kanssa.
8. Parhaan tehon saamiseksi irrotettavia hyllyjä ei saa päällystää paperilla tai muulla materiaalilla, jotta viileä ilma pääsee kiertämään vapaasti.
9. Älä pidä kasviöljyjä ovihyllyissä. Säilytä ruoka peitettynä tai rasioissa. Purkkiruokia ei tule säilyttää avoimessa säilykepurkissa.
10. Ota korit pois pakastelokerosta kuten **Kuva 9**.

Lämpötilan ohjaus ja säätö

Toimintalämpötiloja säädetään termostaattivalitsimella (**Kuva 5**), ja se voidaan asettaa mihin tahansa asentoon välillä 1 ja 5 (kylmin asento). Keskilämpötila jääkaapissa tulee olla noin +5°C (+41°F). Säädä siis termostaatista haluttu lämpötila. Jääkaapissa jotkin osat voivat olla viileämpiä tai lämpimämpiä (kuten vihanneslokeron tai jääkaapin yläosa), mikä on täysin normaalia. Suosittelemme tarkistamaan lämpötilan lämpömittarilla, jotta varmistetaan, että säilytyslokerot ovat halutuissa lämpötiloissa. Muista, että aina kun ovi avataan, kylmä ilma pakenee laitteen ulkopuolelle ja sen sisälämpötila nousee. Siksi ovea ei koskaan saa jättää auki. Varmista myös, että se suljetaan välittömästi, kun ruokatarvikkeet on varastoitu tai otettu esiin.

Ennen käyttöönottoa

Lopputarkastus

Ennen kuin otat laitteen käyttöön, varmista että:

1. Etujalat on säädetty oikealle tasolle.
2. Sisätilat ovat kuivia ja ilma voi kiertää vapaasti laitteen ympärillä.
3. Laite on puhdistettu kohdan ”Puhdistus ja huolto” ohjeiden mukaan.
4. Pistoke on pistorasiassa ja sähköt on kytketty päälle. Kun ovi avataan, sisätilan valo syttyy.

Ja huomaa, että:

5. Kuulet ääntä, kun kompressori käynnistyy. Jäähdytysjärjestelmän nesteet ja kaasut voivat myös pitää jonkin verran ääntä silloinkin, kun kompressori ei ole käynnissä. Tämä on aivan normaalia.
6. Kaapin yläosan lievä aaltoilu on täysin normaalia valmistusprosessista johtuen eikä ole vika.
7. Suosittelemme asettamaan termostaatin keskiasentoon, jotta varmistuisit, että laite ylläpitää haluttua lämpötilaa (katso kohta Lämpötilan ohjaus ja säätö).
8. Älä täytä laitetta heti, kun se laitettu päälle. Odota, että oikea säilytyslämpötila on saavutettu. Suosittelemme lämpötilan tarkistamista tarkalla lämpömittarilla (katso kohta Lämpötilan ohjaus ja säätö).
9. Muista poistaa kaikki pakkausmateriaalit – myös kuljetussuojat kuten teipit, styroksit, pahvit ym. kaapin sisältä. Mahdollisen vesivahingon välttämiseksi on myös tärkeää poistaa kaapin takana, kompressorin päällä olevan valuma-altaan suojana olevat styroksit / pahvit.

Pakastetun ruuan säilyttäminen

Pakastimesi soveltuu pakastettujen ruokien pitkäaikaiseen säilytykseen ja sitä voi käyttää myös tuoreen ruuan pakastamiseen ja säilytykseen. Mikäli tulee virtakatkos, älä avaa ovea. Pakasteruuan pitäisi säilyä, jos katkos kestää vähemmän kuin 16 tuntia. Jos katkos on pidempi, ruoka on tarkistettava ja joko syötävä heti tai valmistettava ja uudelleen pakastettava.

Tuoreen ruoan pakastaminen

Parhaan tuloksen saamiseksi noudata seuraavia ohjeita.

Älä pakasta liian isoja määriä kerralla. Ruoan laatu säilyy parhaiten, kun se pakastetaan kokonaan niin nopeasti kuin mahdollista. Älä ylitä laitteen pakastuskykyä 24 tuntiin. Lämpimän ruoan sijoittaminen pakastusosaan aiheuttaa sen, että jäähdytyslaitteisto toimii jatkuvasti kunnes ruoka on kokonaan jäänyt. Tämä voi tilapäisesti johtaa pakastusosan liialliseen kylmenemiseen.

Kun pakastetaan tuoretta ruokaa, pidä termostaattiohjain keskiasennossa. Pieniä ruokamääriä (enintään ½ kg (1 lb) voidaan pakastaa ilman lämpötilan säätövalitsimen säätämistä.

Jääpalojen teko

Täytä jääpalarasia ¾ täyteen vettä ja laita se pakastimeen. Irrota pakastetut rasiat lusikan kahvalla tai samantyyppisellä esineellä, älä koskaan käytä teräviä esineitä, kuten haarukoita tai veitsiä.

Sulatus

A) Jääkaappiosasto

Jääkaappiosasto sulattaa itsensä automaattisesti. Sulanut vesi poistuu poistoputkea pitkin laitteen takana olevaan keräysastiaan (**Kuva 6**).

Sulatuksen aikana voi kertyä vesipisaroita jääkaapin takaosaan, missä on piilotettu haihdutin. Joitain pisaroita voi jäädä tiivisteisiin ja jäätyä uudelleen, kun sulatus on valmis. Älä käytä teräväkärkisiä tai teräviä esineitä, kuten veitsiä tai haarukoita, jäätyneiden vesipisaroiden poistamiseen.

Jos sulanut vesi ei tyhjene keräyskanavasta, tarkista, ettei ruoka ole tukkinut poistoputkea. Poistoputki voidaan puhdistaa puuvillatupolla tai vastaavalla laitteella.

Tarkista, että putki on pysyvästi paikoillaan, ja sen pää on kompressorin kokooma-astiassa, jotta vältetään veden roiskuminen sähköjohtoihin tai lattialle (**Kuva 7**).

B) Pakasteosasto

Sulatus on yksinkertaista ja sotkutonta, kiitos erityisen sulatusveden keräysaltaan. Sulata kaksi kertaa vuodessa, tai kun on kertynyt noin 7 mm (1/4") jääkerros. Sulatustoimenpiteen aloittamiseksi kytke laite irti verkkopistorasiasta ja irrota verkkojohto.

Kaikki ruoat tulee kääriä useaan kerrokseen sanomalehtipaperia ja säilyttää viileässä paikassa (esim. jääkaapissa tai ruokakomerossa).

Lämmintä vettä sisältäviä astioita voidaan asettaa varovasti pakastimen sisälle sulatusta nopeuttamaan.

Älä käytä suippokärkisiä tai teräviä esineitä, kuten veitsiä tai haarukoita, uurteen poistamiseen.

Älä koskaan käytä sulatukseen hiustenkuivaajia, sähkölämmittimiä tai muita vastaavia sähkölaitteita.

Pyyhi pakastelokeron pohjalle kertynyt sulatusvesi sienellä. Kuivaa sisäpuoli huolellisesti sulatuksen jälkeen (**Kuva 8**). Laita pistoke pistorasiaan ja kytke sähkön syöttö päälle.

Oven kätisyyden vaihto

Etene numerojärjestyksessä (**Kuva 10**).

Sisälampun vaihtaminen

Ota yhteyttä valtuuttuun huoltoon, kun jääkaapin lamppu on vaihdettava.

Tämän kodinkoneen valaisin/valaisimet eivät sovellu huoneen valaisemiseen. Valaisimen tarkoitus on auttaa käyttäjää sijoittamaan elintarvikkeet jääkaappiin/pakastimeen on turvallisella ja mukavalla tavalla.

Tässä laitteessa käytettävien lamppujen tulee kestää äärimmäisiä olosuhteita kuten alle -20°C lämpötiloja.

Puhdistus ja huolto

1. Suosittelemme, että ennen puhdistusta kytket virran pois pistorasian kytkimestä ja irrotat verkkojohdon.
2. Älä koskaan käytä puhdistamiseen teräviä välineitä tai hankausaineita, saippuaa, puhdistusainetta, pesuainetta tai vahaa.
3. Käytä laitteen sisätilojen puhdistukseen haaleaa vettä ja pyyhi kuivaksi.
4. Käytä sisätilojen puhdistukseen liinaa, joka on kostutettu 1 tl ruokasoodaa ja 1/2 litraa vettä sisältävässä liuoksessa ja puristettu kuivaksi, kuivaa lopuksi.
5. Varmista, ettei lämpötilan ohjausrasiaan mene vettä.
6. Mikäli laitetta ei käytetä pitkään aikaan, kytke se pois päältä, poista kaikki ruuat, puhdistaa jääkaappi ja jätä ovi auki.

7. Laitteen takana olevaan jäähdyttimeen kertyvä pöly pitää imuroida pois kerran vuodessa.

8. Tarkista oven eristeet säännöllisesti varmistaaksesi, että ne ovat puhtaita ja vapaita ruuasta.

9. Älä koskaan:

- Puhdista laitetta sopimattomalla aineella esim. öljypohjaisilla tuotteilla.
- Altista laitetta korkeille lämpötiloille.
- Hankaa hankausaineilla.

10. Ovitelineen irrottamiseksi poista siitä kaikki sisältö ja työnnä sitten ovitelinettä pohjasta ylöspäin.

11. Varmista, että laitteen takana oleva muoviasiasta, johon sulatusvesi kertyy, on aina puhdas. Mikäli haluat irrottaa sen puhdistusta varten, seuraa alla olevia ohjeita:

- Kytke virta pois pistorasian kytkimestä ja irrota verkkojohto.
 - Irrota vedenkeruuastia vetämällä ja kääntämällä (vasemmalta oikealle).
 - Puhdista ja kuivaa se.
 - Kokoa jälleen käänteisessä järjestyksessä.
12. Irrottaaksesi laatikon vedä se niin eteen kuin mahdollista, nosta vinoittain ylöspäin ja vedä se kokonaan pois.

Tärkeää

Muista puhdista laite säännöllisesti (katso "Sulatus")

Muista säilytä ruokaa mahdollisimman vähän aikaa ja noudata parasta ennen ja käytettävä viimeistään päiväyksiä.

Muista sulata ruoka jääkaapissa.

Älä säilytä banaaneja jääkaapissa.

Älä peitä hyllyjä suojaavilla materiaaleilla, jotka voivat estää ilmankierron.

Älä säilytä myrkyllisiä tai vaarallisia aineita laitteessa. Se on tarkoitettu ainoastaan elintarvikkeiden säilytykseen.

Älä jätä ovea auki pitkiksi ajoiksi, sillä se tekee laitteen käytön kalliimmaksi ja voi aiheuttaa jään ylikertymistä.

Älä käytä teräväkärkisiä tai teräviä esineitä, kuten veitsiä tai haarukoita, jään poistamiseen.

Älä laita pakastimeen nestettä sisältäviä pulloja tai purkkeja, joissa on hiilihapollista nestettä, sillä ne voivat särkyä.

Älä ylitä maksimipakastusmäärää, kun pakastat tuoretta ruokaa.

Älä pakasta hiilihapollisia juomia.

Älä säilytä pakasteruokaa, joka on sulatettu. Se tulee syödä 24 tunnin kuluessa sulatuksesta tai se on valmistettava ja pakastettava uudelleen.

Älä ota tuotteita pakastimesta märin käsin.

Energian kulutus

Pakastetun ruoan enimmäissäilytystila saadaan aikaan, kun ei käytetä pakasteosaston lokeroa. Laitteen energian kulutus on ilmoitettu pakastinosaston ollessa täyteen täytetty ilman pakasteosaston hyllyjen suojusta.

Käytännön neuvoja sähkönkulutuksen vähentämiseen

1. Varmista, että laite on sijoitettu hyvin tuuletettuun tilaan, etäälle kaikista lämmönlähteistä (liesi, lämpöpatteri jne.). Älä sijoita laitetta suoraan auringonvaloon.
2. Varmista, että jäähdytetty/pakastettu ruoka sijoitetaan laitteeseen mahdollisimman pian, varsinkin kesäaikana. Ruoan kuljettamisessa kotiin suositellaan käytettävän lämpöeristettyjä laukkuja.
3. Suosittelemme pakasteruoan asettamista astiaan jääkaappilokerossa, kun pakaste on sulatettava. Näin vältetään sulamisesta syntyvän veden aiheutumisesta syntyvien vuotojen joutuminen jääkaappiosastoon. Suosittelemme aloittamaan sulatuksen vähintään 24 tuntia, ennen kuin pakastettua ruokaa on tarkoitus käyttää.
4. Älä pidä laitteen ovea auki enempää kuin on tarpeellista, ja varmista että ovi suljetaan hyvin jokaisen avaamisen jälkeen.

Tietoja laitteen käytön aikana mahdollisesti kuuluvista äänistä ja tärinästä

1. Käyttöäni voi lisääntyä käytön aikana. - Jotta lämpötila pysyy säädetyssä arvossa, laitteen kompressori käynnistyy ajoittain. Kompressorin tuottama ääni voimistuu käynnistyessään ja sen pysähtyessä voi kuulua naksahdus.

- Laitteen suorituskyky ja toiminnot voivat vaihdella ympäröivän lämpötilan vaihteluiden mukaan. Ne ovat normaaleja ilmiöitä.

2. Virtaavaa tai suihkutettavaa nestettä muistuttavat äänet.

- Nämä äänet aiheutuvat jäähdytysaineen virtaamisesta laitteen kylmäainekierrossa ja ovat laitteen toimintaperiaatteen mukaisia.

3. Muut tärinät ja äänet.

- Voimakas ääni ja värinä saattavat johtua laitteen sijoituspaikan lattian tyypistä ja kunnosta. Varmista, ettei lattiassa ole merkittäviä tasovaihteluita, tai ettei se taivu laitteen painosta (ole joustava).

- Muita ääniä ja värinöitä aiheuttavia syitä ovat laitteen päälle asetetut esineet. Nämä esineet on poistettava.

Vianetsintä


Jos laite ei toimi, kun se kytketään päälle, tarkista:

- Onko pistoke kunnolla pistorasiassa ja virta päällä. (Tarkistaaksesi pistokkeen teholähteen liitä pistorasiaan toinen laite)
- Onko sulake palanut, katkaisija lauennut tai pääkatkaisija kytketty pois päältä.
- Onko termostaattiohjain säädetty oikein.
- Jos olet vaihtanut pistokkeen, varmista että uuden pistokkeen johdot on oikein.

Jos laite ei edelleenkään toimi tarkistusten jälkeen, ota yhteys GRAM-huoltoon.

Varmista, että edellä mainitut tarkistukset on tehty, sillä toimivan laitteen tarkastamisesta otetaan maksu.



Tuotteen pakkauksessa oleva merkintä  tarkoittaa, ettei laitetta saa käsitellä kotitalousjätteenä. Sen sijaan se on toimitettava elektroniikka- ja sähkölaiteromun kierrätyspisteeseen. Varmistamalla tuotteen oikea hävittäminen autat estämään mahdollisia haitallisia vaikutuksia ympäristölle ja ihmisten terveydelle, joita saattaisi aiheutua laitteen väärästä hävittämistavasta. Lisätietoja laitteen kierrättämisestä saa valtiolta, kunnalliselta jätehuolloilta, jätehuoltopalvelulta tai kaupasta, josta ostit tuotteen.

NO:
Gram A/S
Tel.: 22 07 26 30
www.gram.no

SE:
Gram A/S
Tel.: 040 38 08 40
www.gram.se

FI:
Gram A/S
Tel.: 020 7756 350
www.gram.fi



Gram A/S
Gejlhavegård 2B
DK-6000 Kolding
+45 73 20 10 00
www.gram.dk